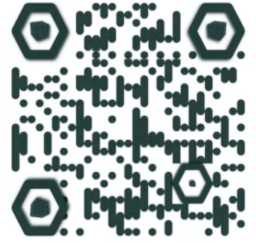


BELLAVISTA

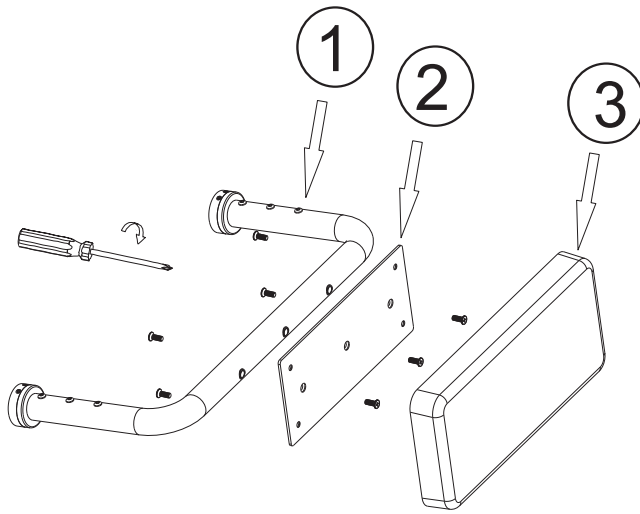
Scan for installation Guides



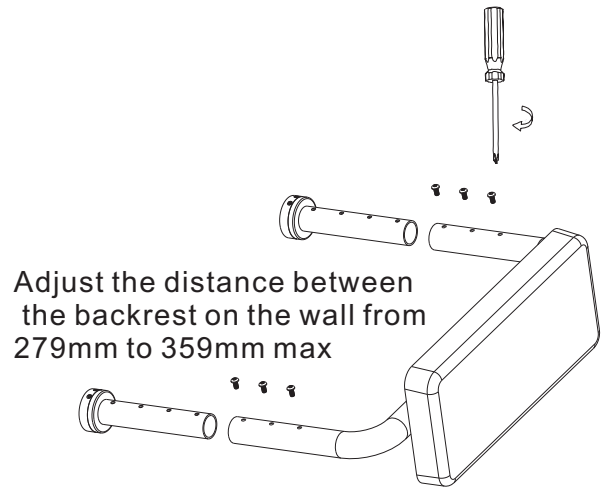
Item Number:DDA-BR

V-1(4925)-KS

Step 1 : Assemble the back rest.

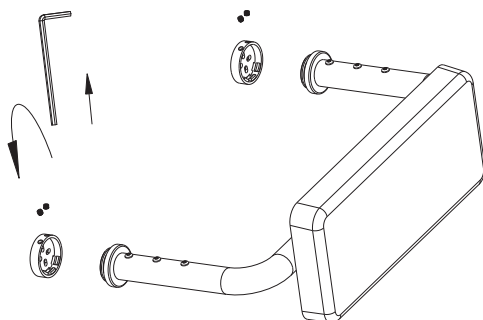


Step 2 : Adjust the distance as required and tighten the screws.



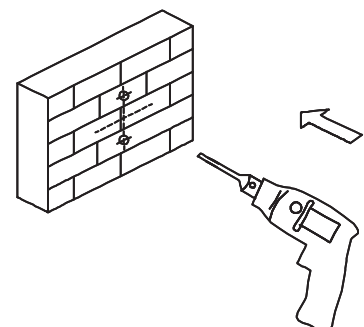
the diagram shown in step 1 and 2 is the bottom of the product to show the screws and fittings

Step 3 : Unscrew the wall brackets to allow mounting to the wall.
(image in this step is upside down)

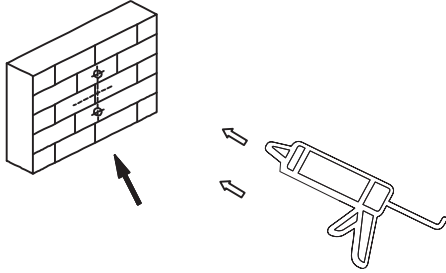


the diagram shown in step 3 is the bottom of the product so screws are visible

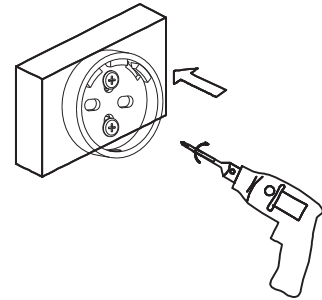
Step 4 : Mark out hole locations and drill holes.



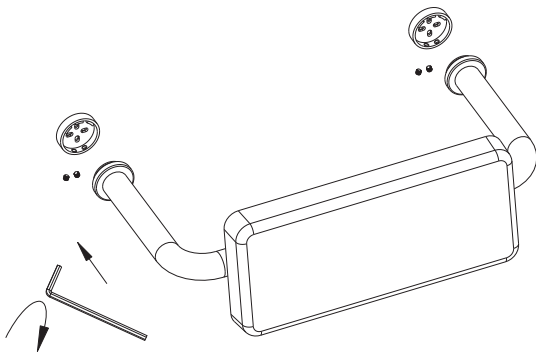
Step5: Pump Silicon in the hole.



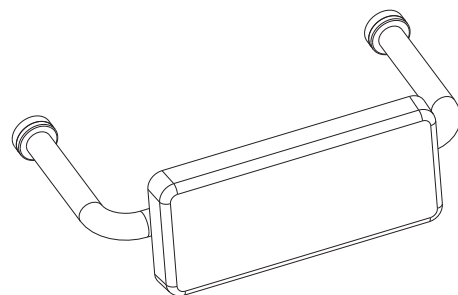
Step6: Install mounting brackets by screwing into timber stud.



Step7: Connect the back rest to the wall bracket and tighten.



Step8: Instalation complete.



Thank you for choosing Bella Vista