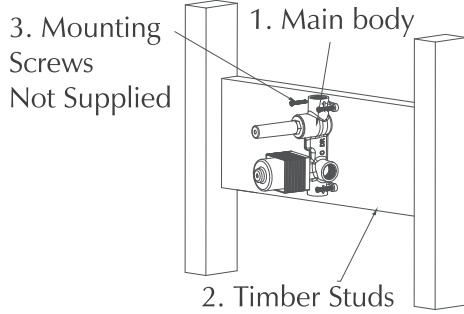


Installation Instruction

1

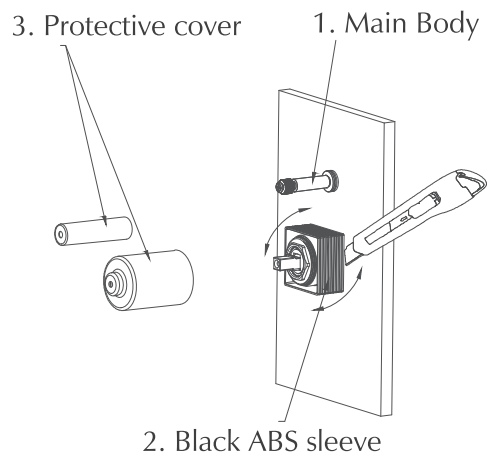


1. Place item (Main Body) onto the timber studs or concrete wall e.t.c. screw into the frame.

(note: make sure mixer is level.)

1.1. Please don't remove protective cover until tiling is finished / Fit off.

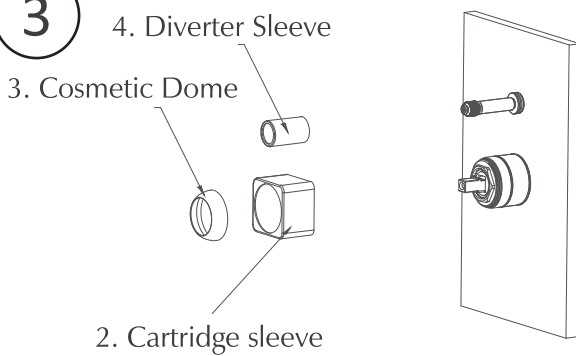
2



2. Remove protective cover and screw.

2.1. Cut off the black ABS sleeve at Fit off before caulking.

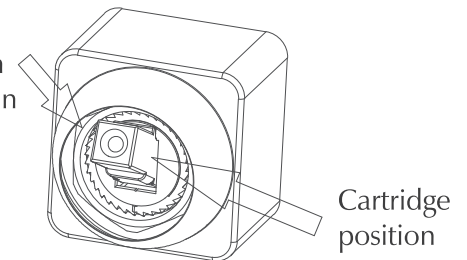
3



3. Install cartridge sleeve, diverter sleeve and cosmetic dome on the main body.

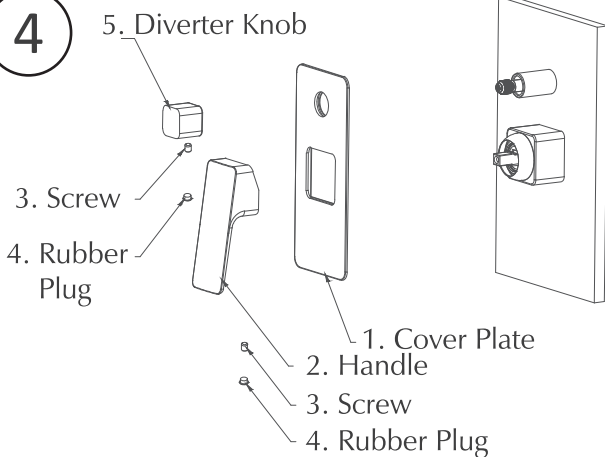
3.1

Dome position with Cartridge in open position



3.1. Please tilt cartridge lever to water flow open position, twist handle left and right to make sure cosmetic dome is in the right position before you tighten the handle.

4

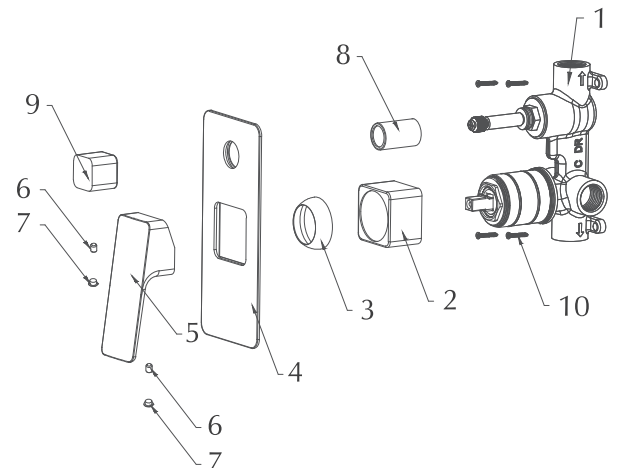


4. Install cover plate,diverter knob and handle on the main body.

4.1. Install cover plate

4.2. Install diverter knob and tighten the scew

4.3. Install handle and tighten the scew



1. Main Body

2. Cartridge Sleeve

3. Cosmetic Dome

4. Cover Plate

5. Handle

6. Screws

7. Rubbers

8. Diverter Sleeve

9. Diverter Knob

10. Mounting Screws