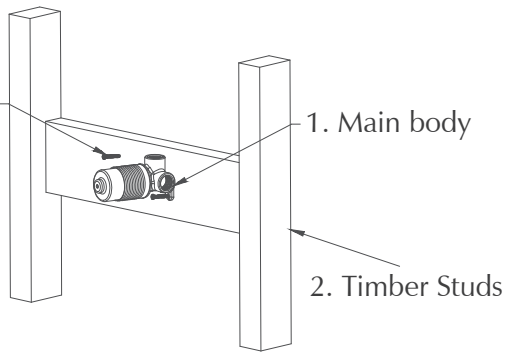


Installation Instruction

1

3. Mounting
Screws
Not Supplied



1. Place item (Main Body) onto the timber studs or concrete wall e.t.c. screw into the frame.

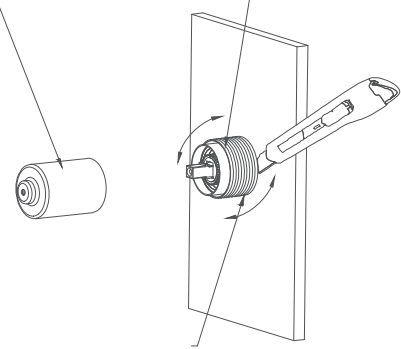
(note: make sure mixer is level.)

1.1. Please don't remove protective cover until tiling is finished / Fit off.

2

3. Protective cover

1. Main Body



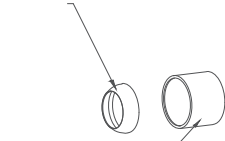
2. Black ABS sleeve

2. Remove protective cover and screw.

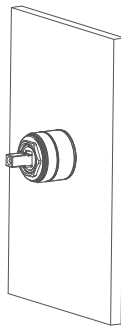
2.1. Cut off the black ABS sleeve at Fit off before caulking.

3

3. Cosmetic Dome



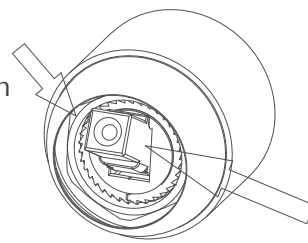
2. Cartridge sleeve



3. Install cartridge sleeve and cosmetic dome on the main body.

3.1

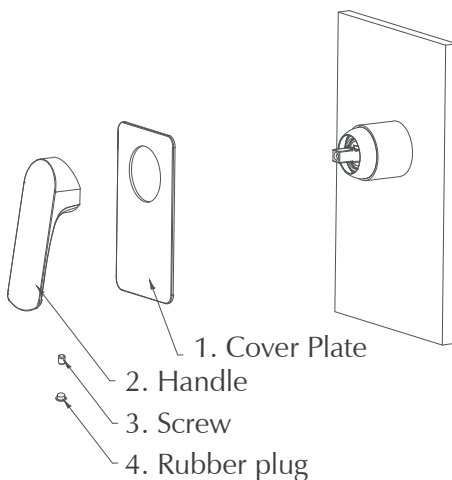
Dome position
with Cartridge in
open position



Cartridge
position

3.1. Please tilt cartridge lever to water flow open position, twist handle left and right to make sure cosmetic dome is in the right position before you tighten the handle.

4



1. Cover Plate

2. Handle

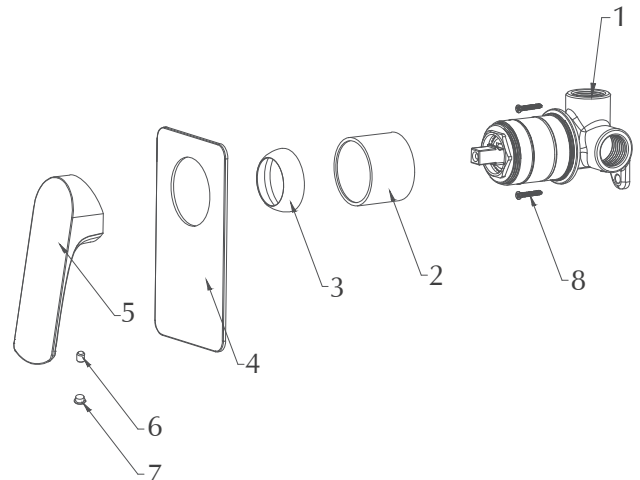
3. Screw

4. Rubber plug

4. Install cover plate and handle on the main body.

4.1. Install cover plate

4.2. Install handle and tighten the screw



1. Main Body

2. Cartridge Sleeve

3. Cosmetic Dome

4. Cover Plate

5. Handle

6. Screw

7. Rubber plug

8. Screws