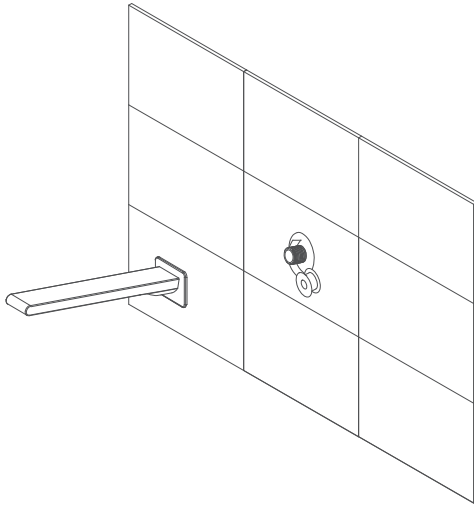


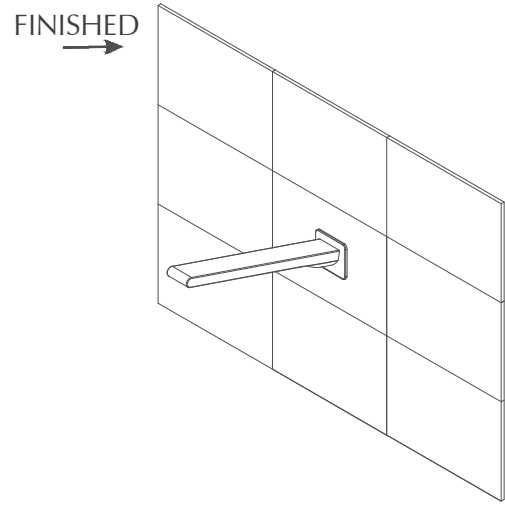
Installation Instruction

1

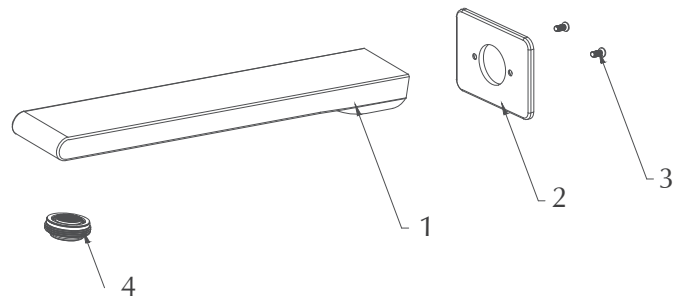
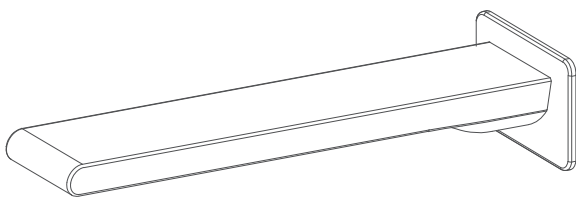


1. Wrap the Teflon tape around the G1/2 outlet thread.
note: Flush the pipe until the water is clean.

2



2. Turn the Spout body onto the outlet thread, and ensure the spout in the right direction.



1. Outlet Spout
2. Backing Plate

3. Screws
4. Aerator



Please Note:

The Plumbing Code of Australia and the Australian Standards (AS/NZS 3500) require that water pressure on your property must not exceed 500kPa. Water mains pressure may be higher depending on where you live.

This tap must be installed by a licenced plumber.