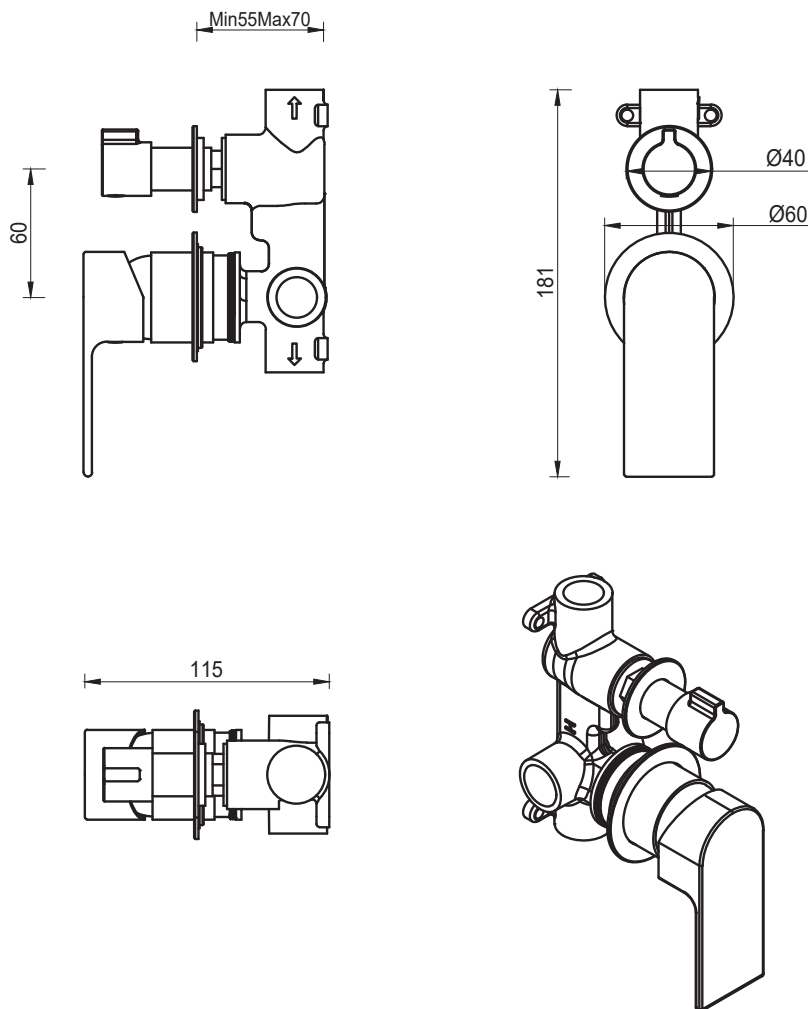


# BELAVISTA®

## Eleniko Shower Mixer Diverter

Product Code: SHME-8-DV-2P-TK (TRIM KIT)



### FEATURES

- Citec cartridge
- Solid brass
- Universal Trim-Kit color options
- Matching body Flow rate  
26L p/m (at 3 bar)

### FINISHES AVAILABLE

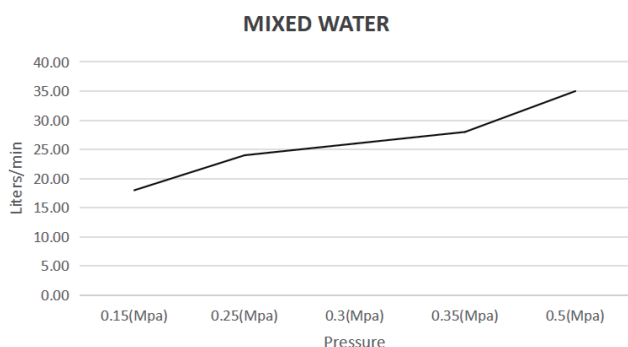


Chrome Matt Black Brushed Nickel French Gold Gun Metal

### WELS

WaterMark Approved  
WELS Not Applicable

### FLOW RATE GRAPH



### CARE & MAINTAINANCE

- Please inspect product for any defects prior to installation.
- Clean using a mild detergent and warm water, rinse and dry with a soft cloth.
- Do not use harsh detergents, citrus based cleaners, or abrasive cleaners on this product.
- Any form of tools will damage this product, do not apply directly to product.
- Do not use acid based cleaning products on this product.
- Refer to the installation manual for correct installation.



Proudly designed by Bella Vista in Australia

[www.bella-vista.au](http://www.bella-vista.au) Email: [sales@bella-vista.net.au](mailto:sales@bella-vista.net.au)

For product manual, warranty or terms and conditions, Please visit our website.

Thank you for choosing Bella-visa.