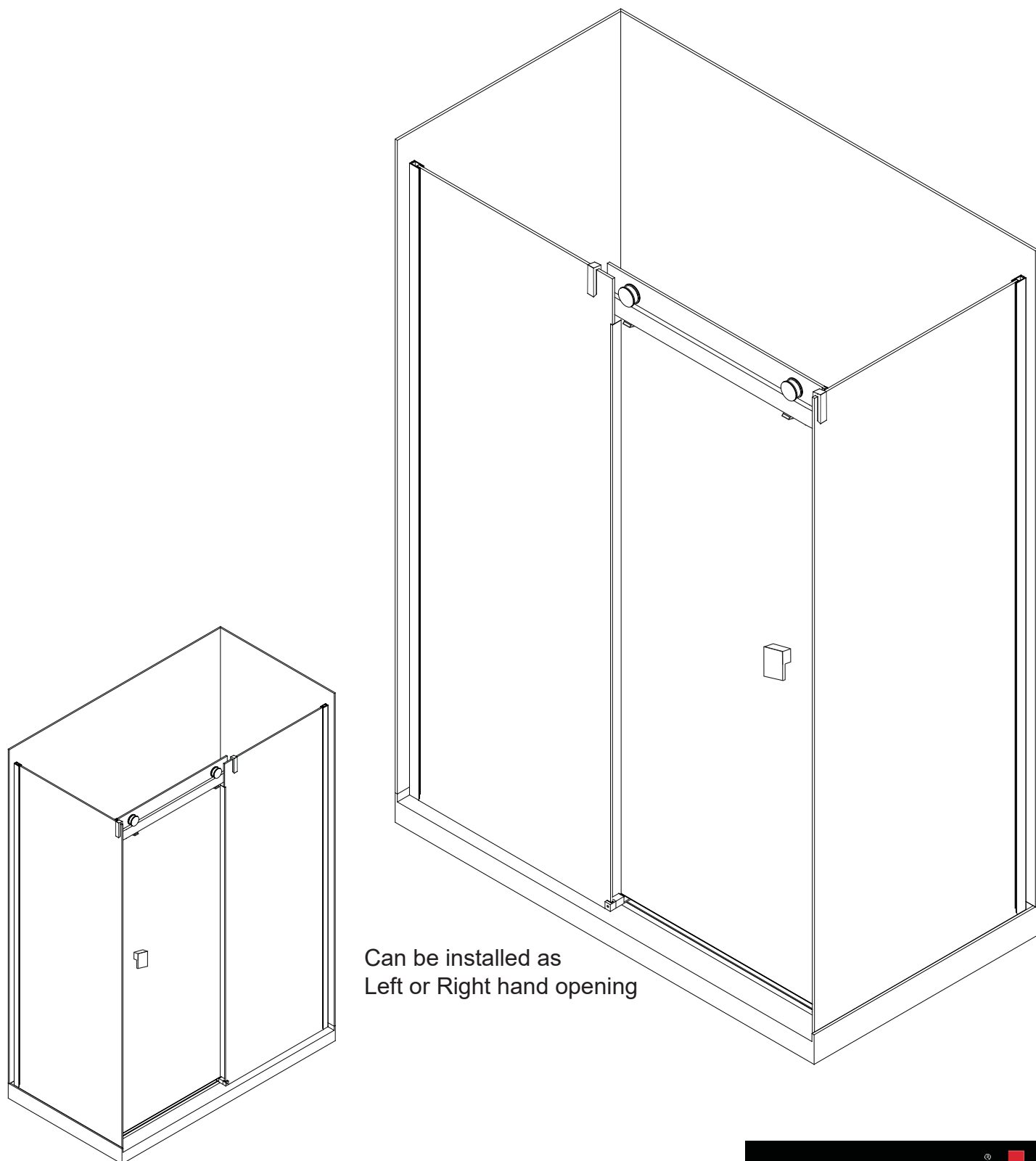


Instruction Manual

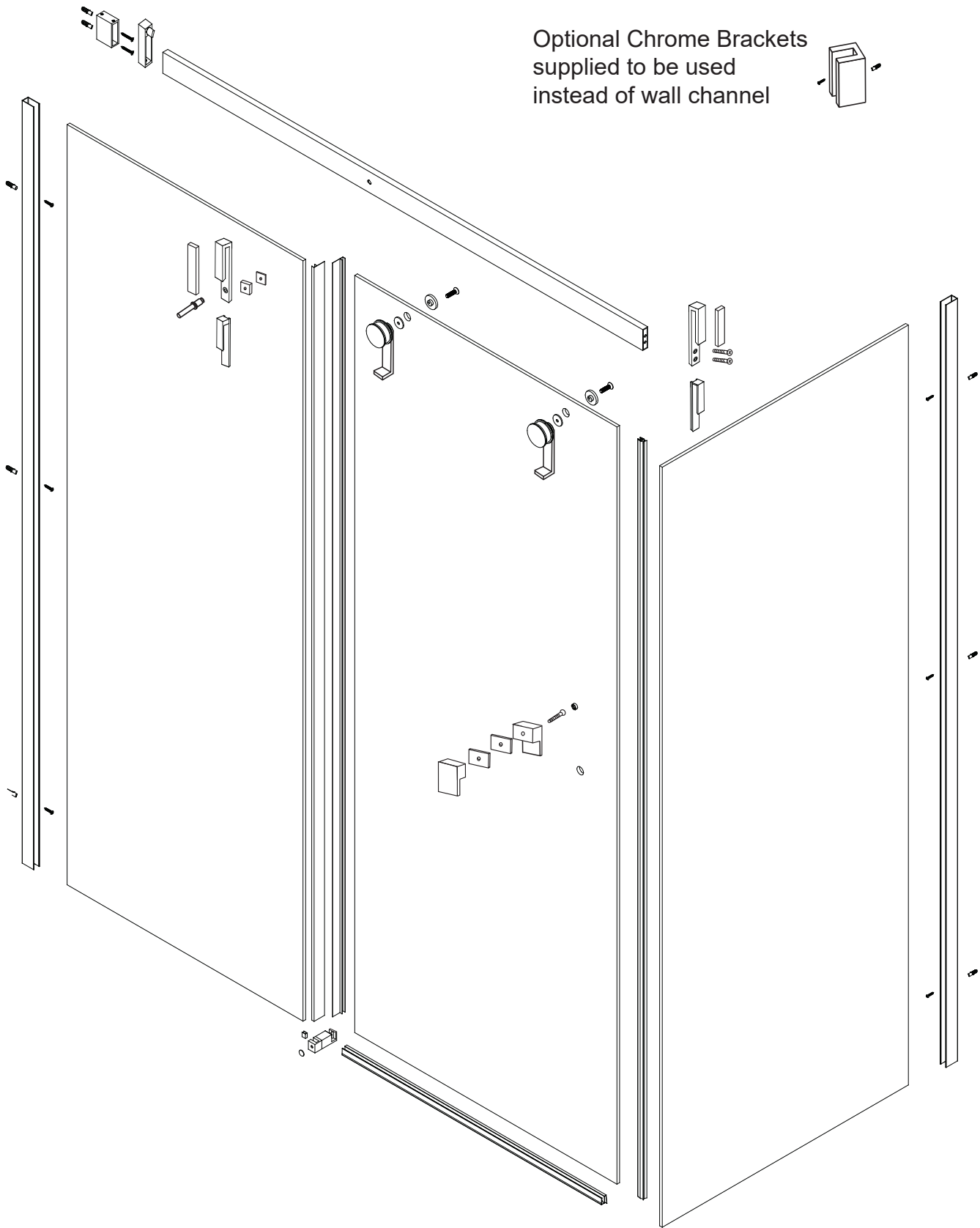
For *BELLA VISTA* Sliding Frameless Shower Screen

Please Note: This is an installation guide only. Measurements are the responsibility of the installer, every wall is different, every floor is different and every bathroom is different. Follow the rule of thumb, measure twice and cut/drill once. The supplier or reseller is not responsible for measurements supplied incorrectly and will not take back glass, especially if boxes have been opened.

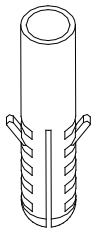


Can be installed as
Left or Right hand opening

Optional Chrome Brackets
supplied to be used
instead of wall channel

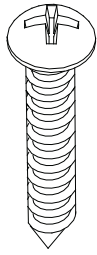


HARDWARE CONTENTS



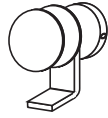
Wall plug
ø6x 30

x 8



Channel Screw
ST4X30

x 6



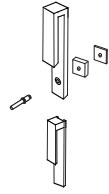
Roller

x 2



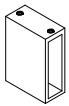
Side Hook

x 1



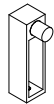
Front Hook

x 1



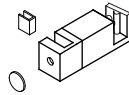
Wall Bracket

x 1



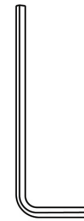
Wheel Stopper

x 1



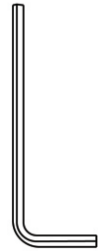
Floor Two way guide

x 1



Allen key
3 mm

x 1



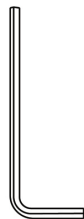
Allen key
4 mm

x 1



Allen key
5 mm

x 1



Allen key
6 mm

x 1



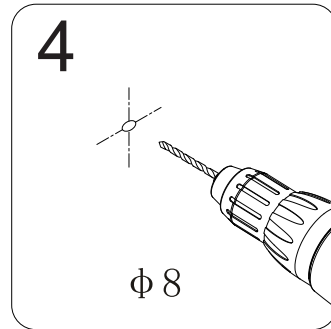
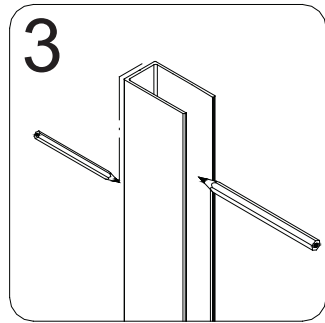
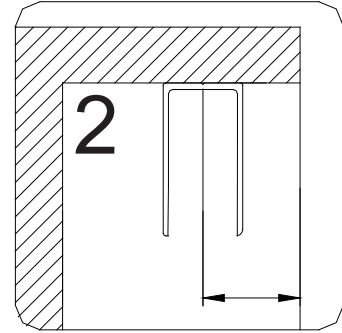
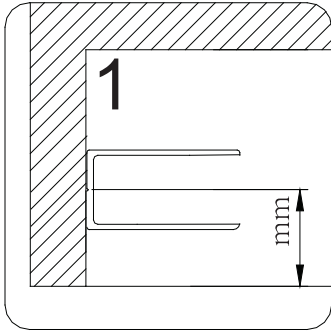
Chrome Hook covers
optional for premium

x 2

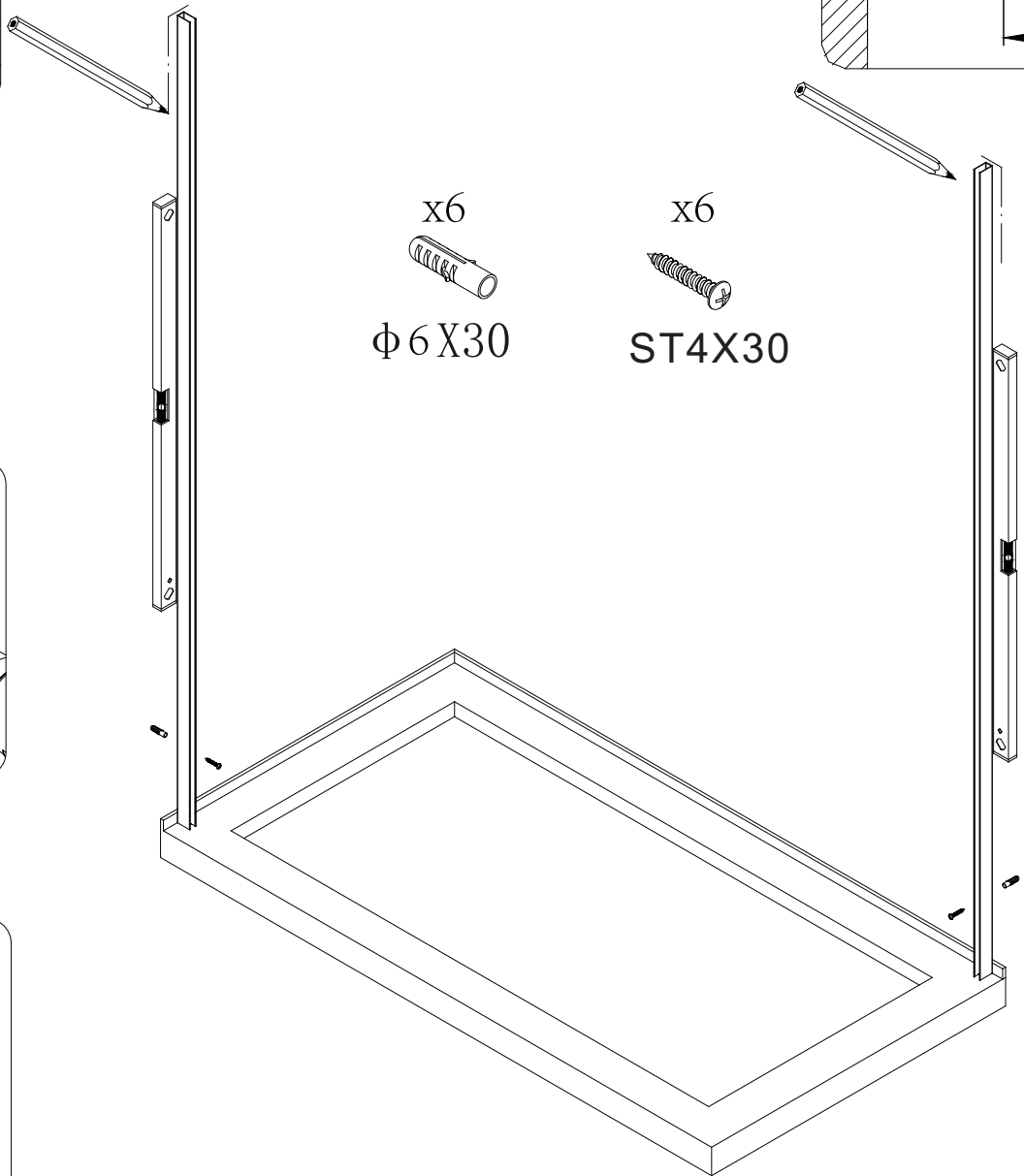
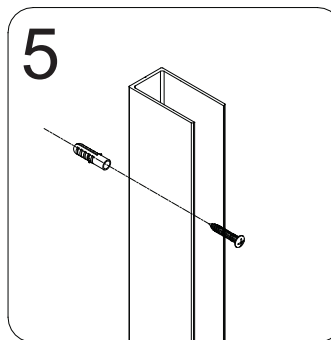


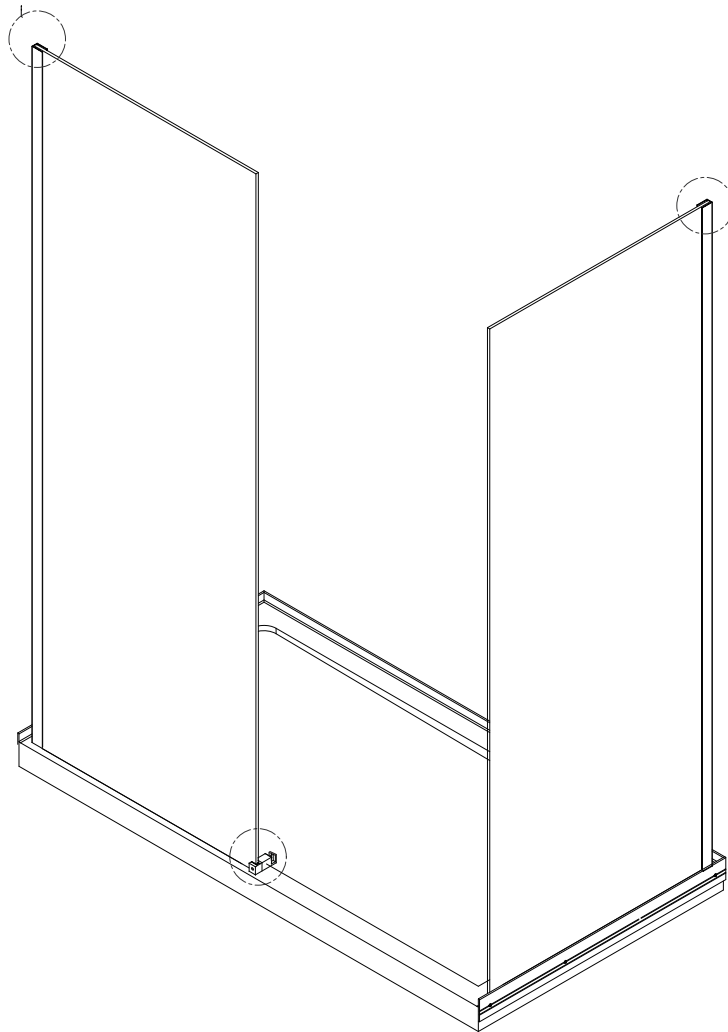
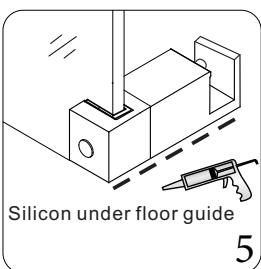
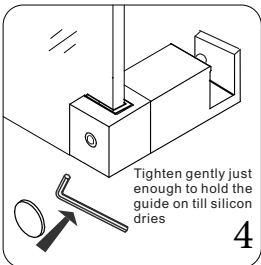
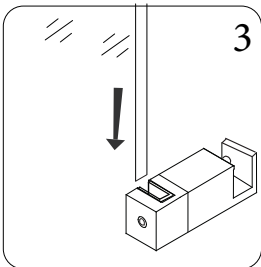
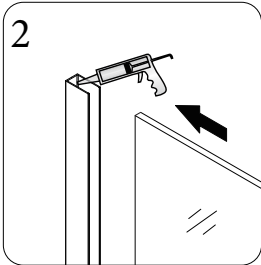
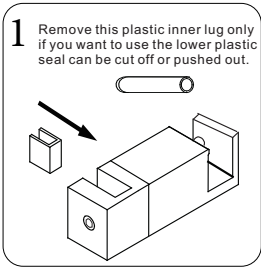
Chrome Bracket
optional for premium

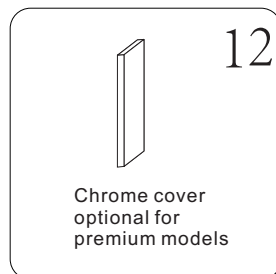
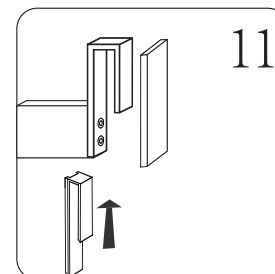
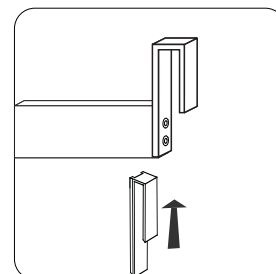
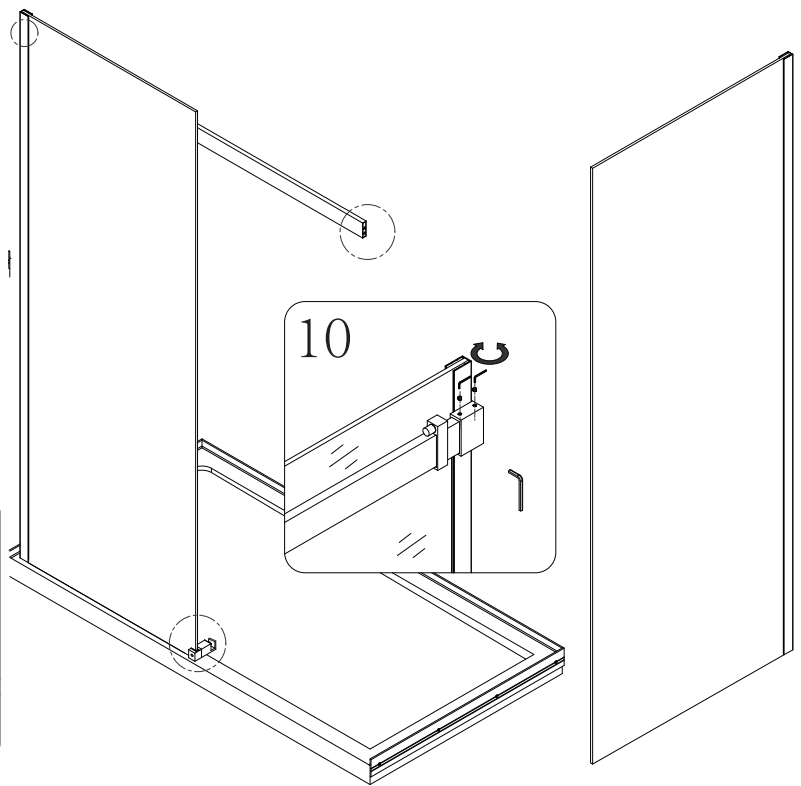
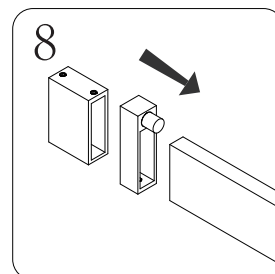
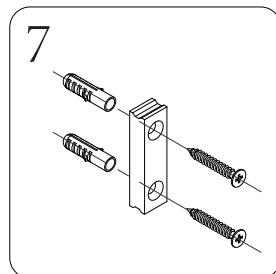
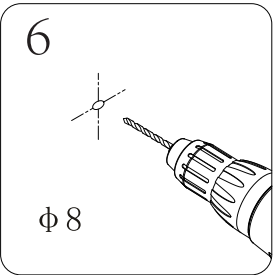
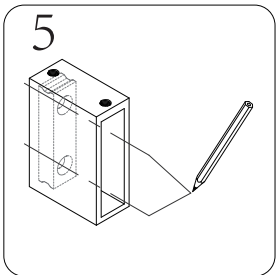
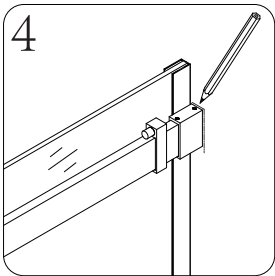
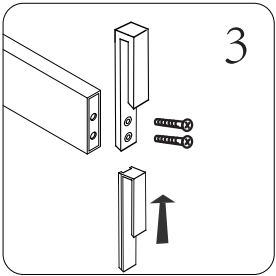
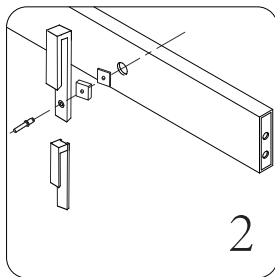
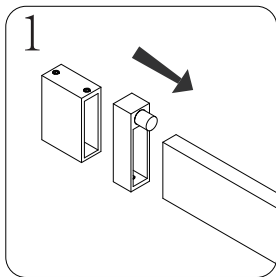
x 4

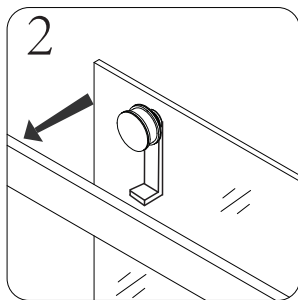
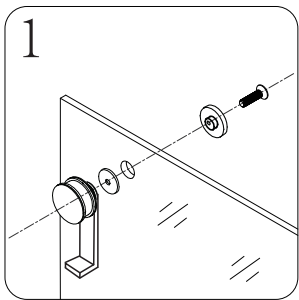


Please Note: Confirm there are no pipes or wires before commencing drilling





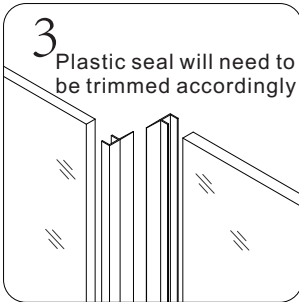




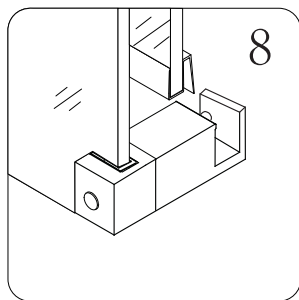
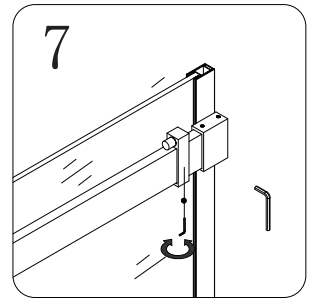
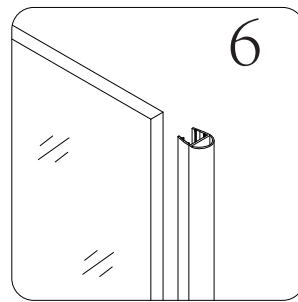
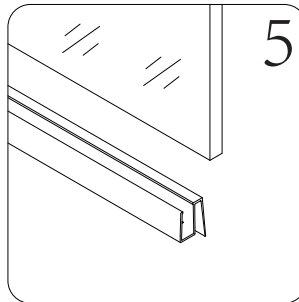
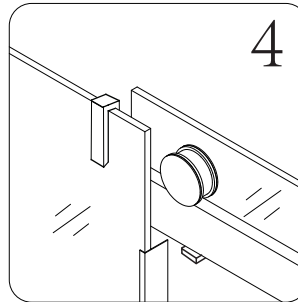
See pic-2 and pic-4: Put the door on the rail

See pic-8 : Adjust the door height

Put screw on Roller and turn 2-3 full turns so the Roller is loose then lift door and hang onto the rail.



3 Plastic seal will need to be trimmed accordingly



Adjustment top is highest bottom is lowest

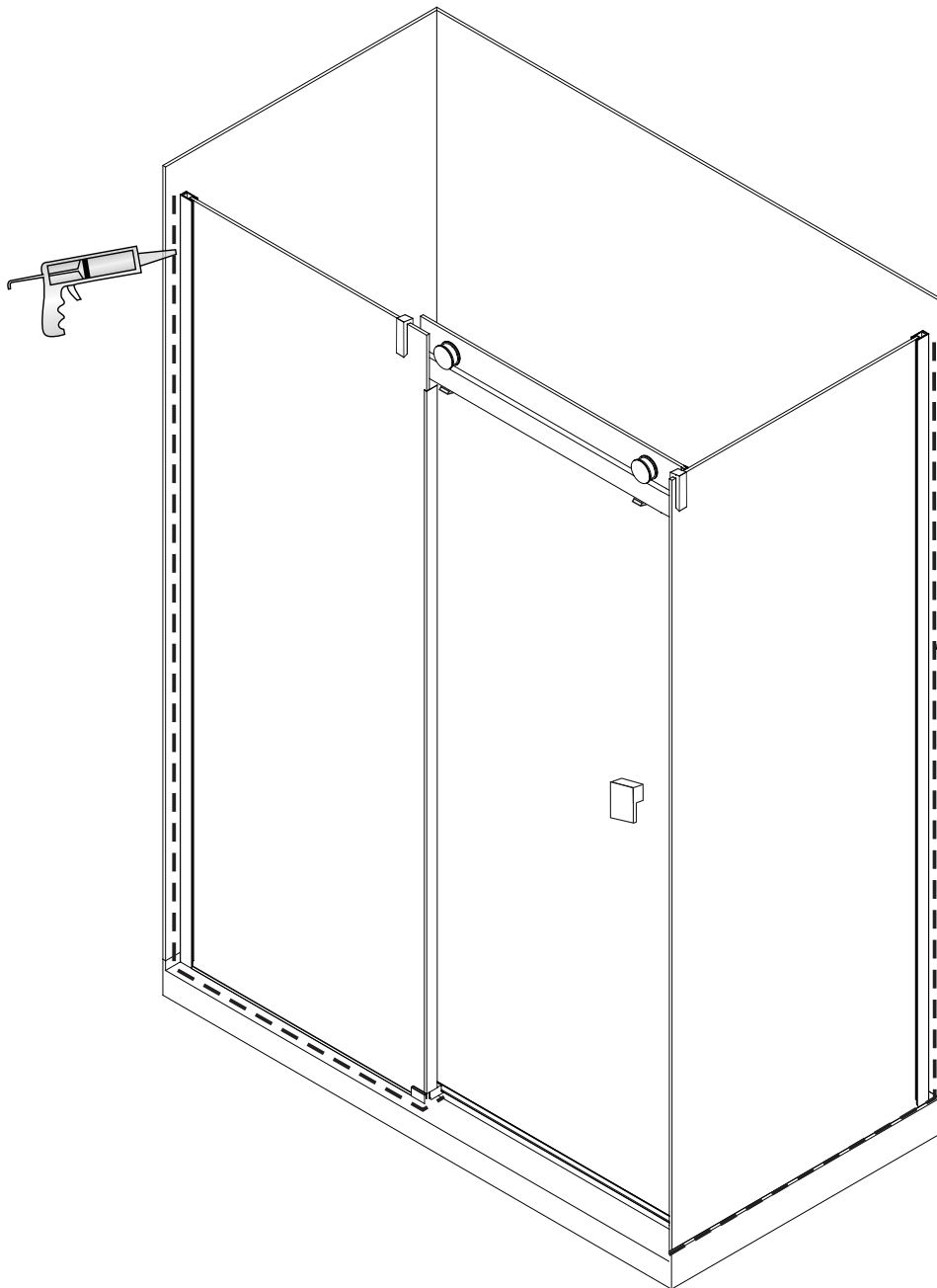
This hole is for adjustment of the roller location of the hole determines the height of the door.



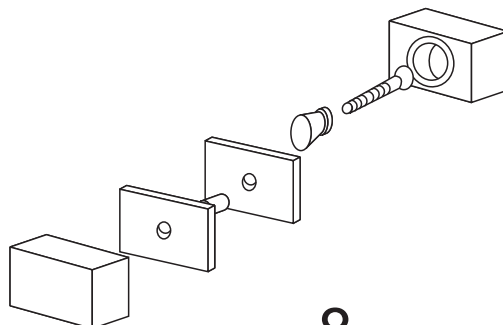
Allow 48 hours for silicone to dry before use if temperature is above 28 degrees.



Allow 72 hours for silicone to dry before use if temperature is below 27 degrees.



Handles are optional with different models



8

BELLA VISTA