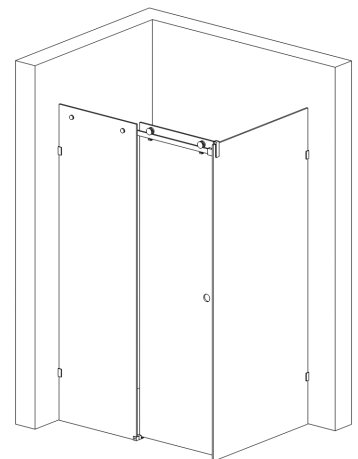
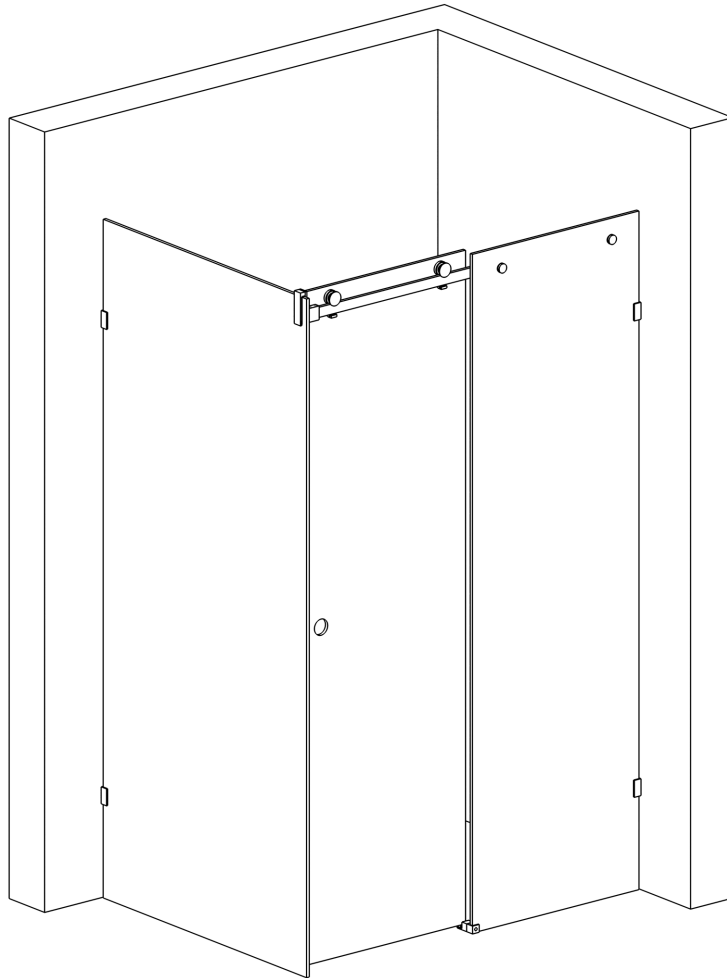


## Frameless Sliding Shower Screen

Code: SLD 10mm

Front and Return Layout

Wall bracket/patch fitting



Left hand or Right hand Installation Guide

## ◆ General Information

Please inspect the product immediately upon receipt for transit damage, missing packs/parts or manufacturing fault. Damage reported after installation will not be accepted. Please handle the product with care avoiding knocks and shock loading to all sides and edges of the glass

### Notes: Safety glass can not be re-worked

Please read these instructions carefully before start of installation.

Special care should be taken when drilling walls to avoid hidden pipes or electrical cables.

Note: This product is heavy and may require two people to install.

### Aftercare instructions

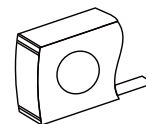
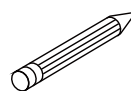
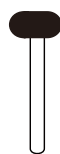
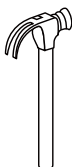
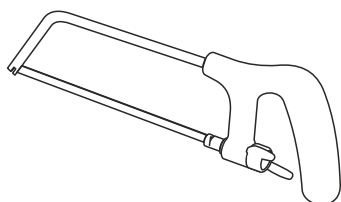
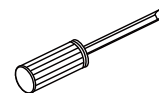
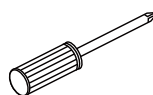
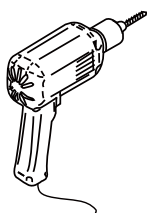
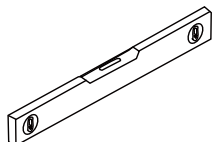
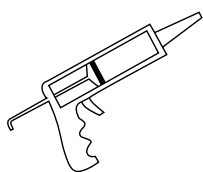
After use, your shower should be cleaned with soap and water. This is particularly important in hard water districts where insoluble lime salts may be deposited and allowed to build up. Cleaners of a gritty or abrasive nature should not be used. Care should be taken to avoid contact with strong chemicals such as organic solvents and strippers.

Glass cleaners can be used but with caution, if in doubt contact the manufacturer of the cleaner in question.

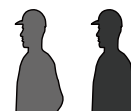
Please keep these instructions for aftercare and customer service details.

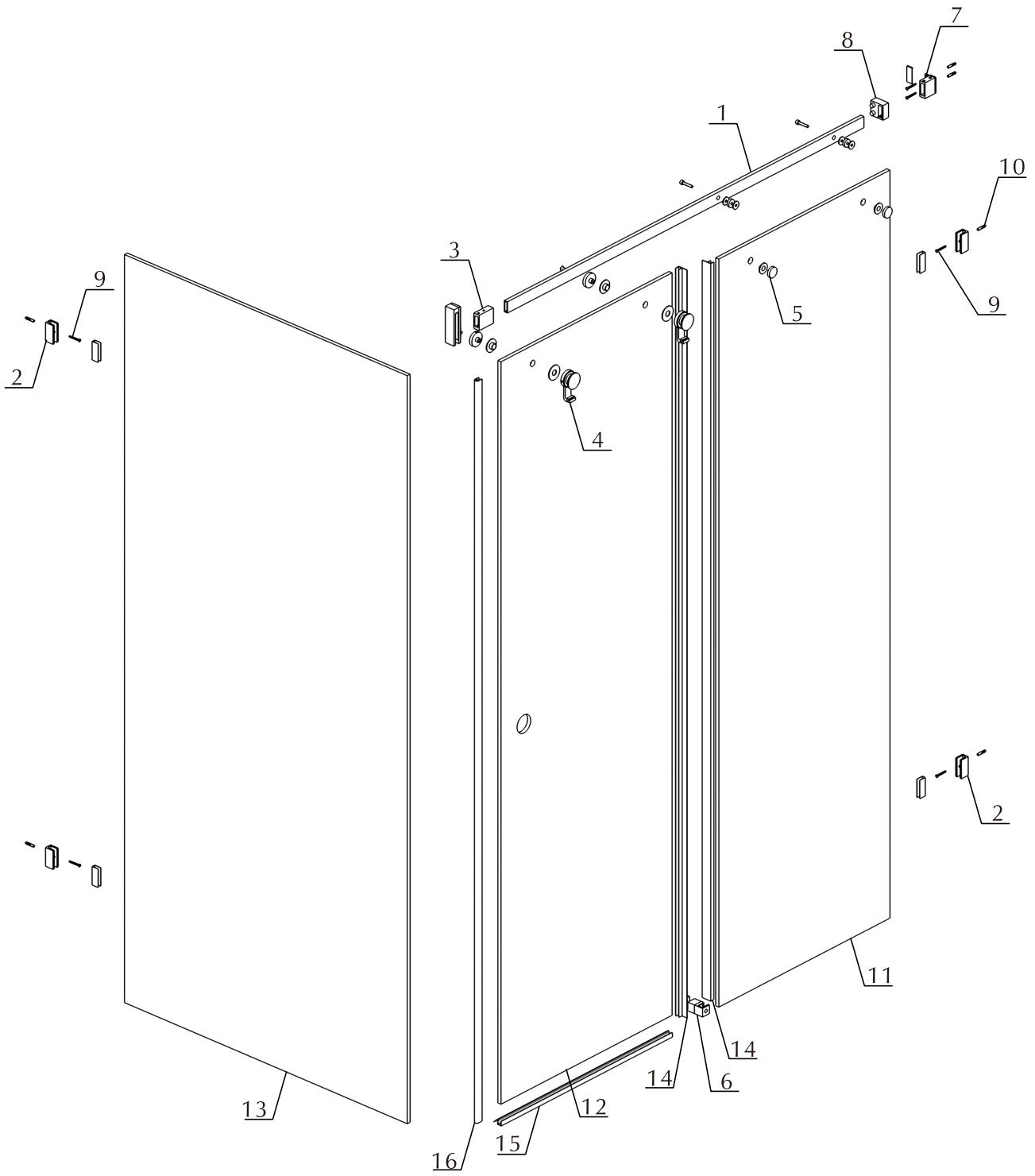
---

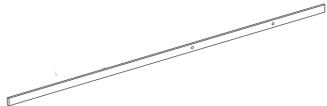
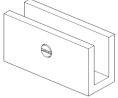


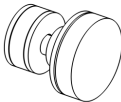
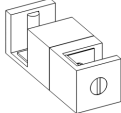
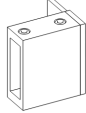
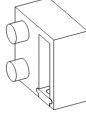
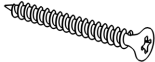
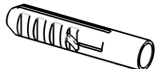
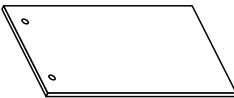
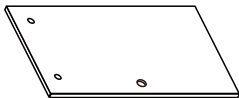
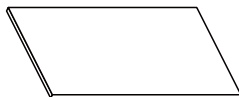

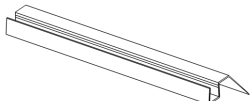
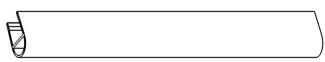
### Tools Required

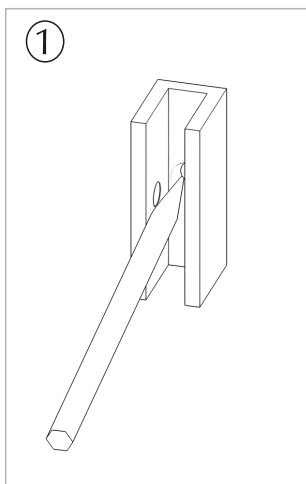
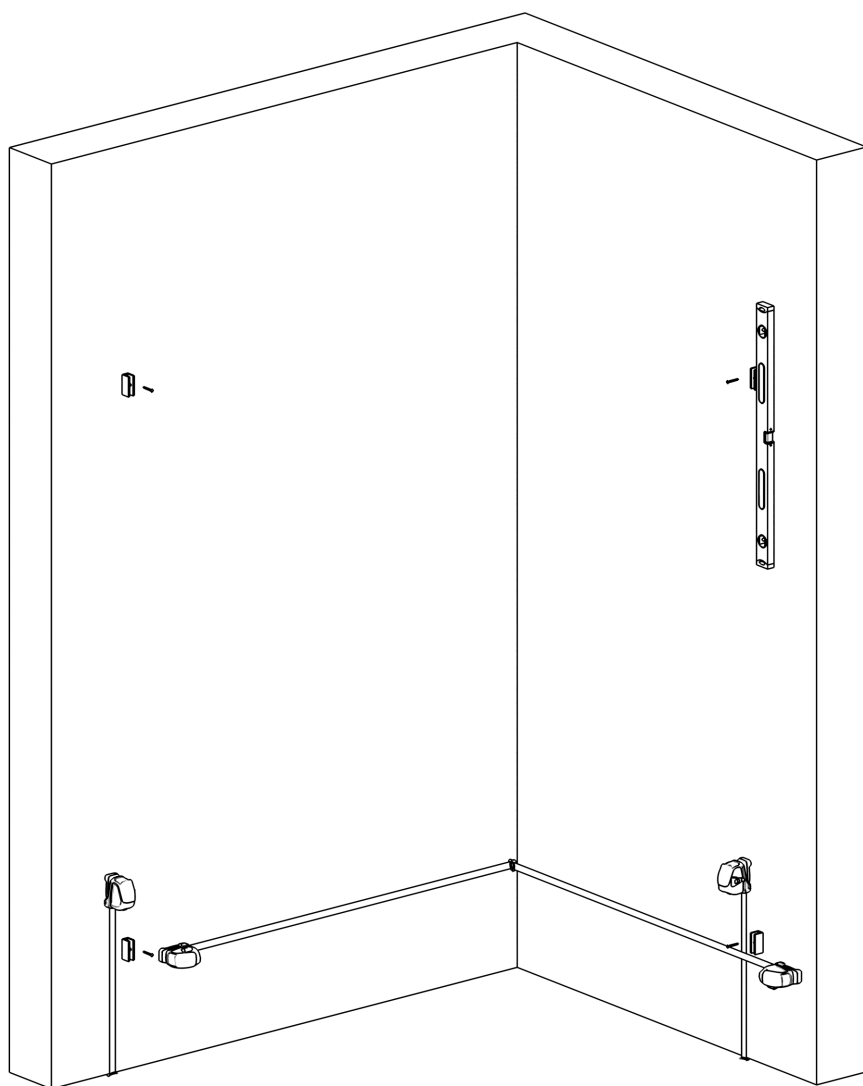


This product is heavy and may require two people to install.

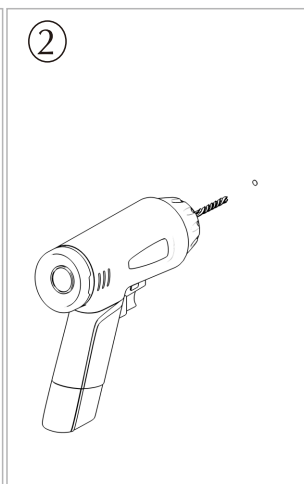




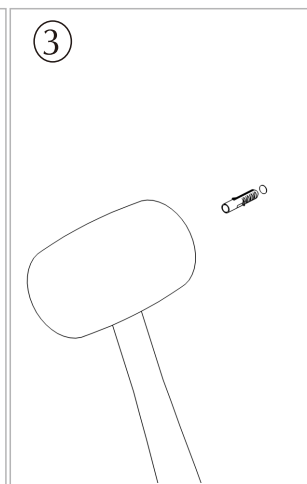
No.	Pic	Code	Qty
1		SLD-RAIL	1
2		BGP5025	4
3		SLD-SIDEHOOK-V3	1
4		SLD-ROLLOR	2
5		SLD-FPH-WASHER	2
6		SLD-FLRBRKT	1
7		SLD L Wall Bracket	1
8		SLD Wheel Stopper	1
9		Screw	4
10		Screw Wall plug	4
11		SLD-FPH	1
12		SLD-DP	1
13		FP	1
14		Strip F	2
15		Strip Z	1
16		Strip B	1



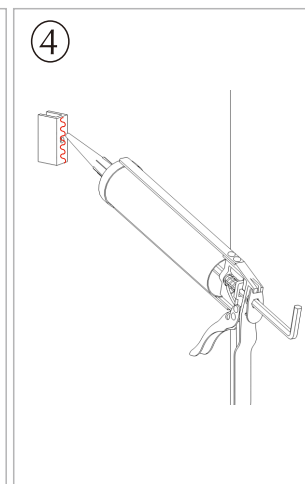
Mark out hole



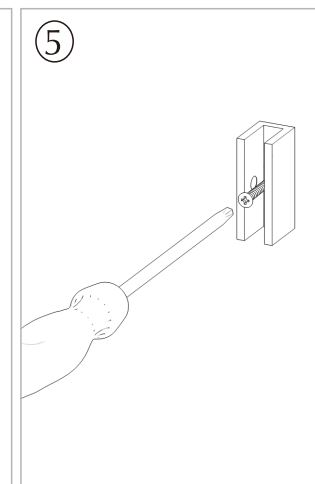
Drill hole



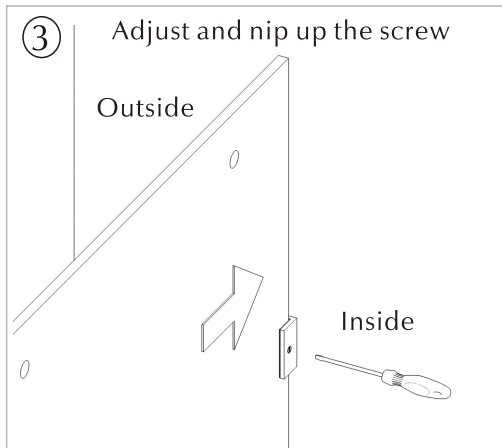
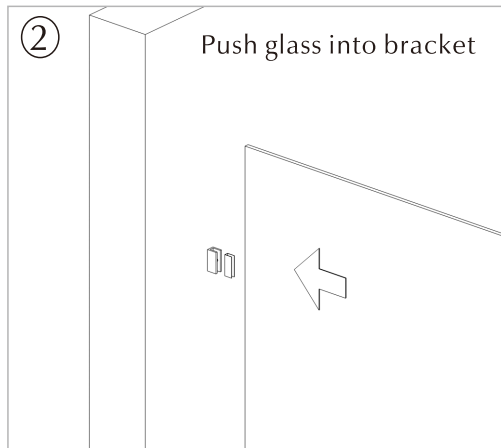
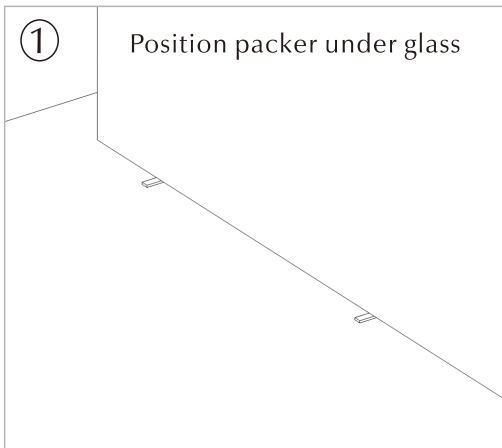
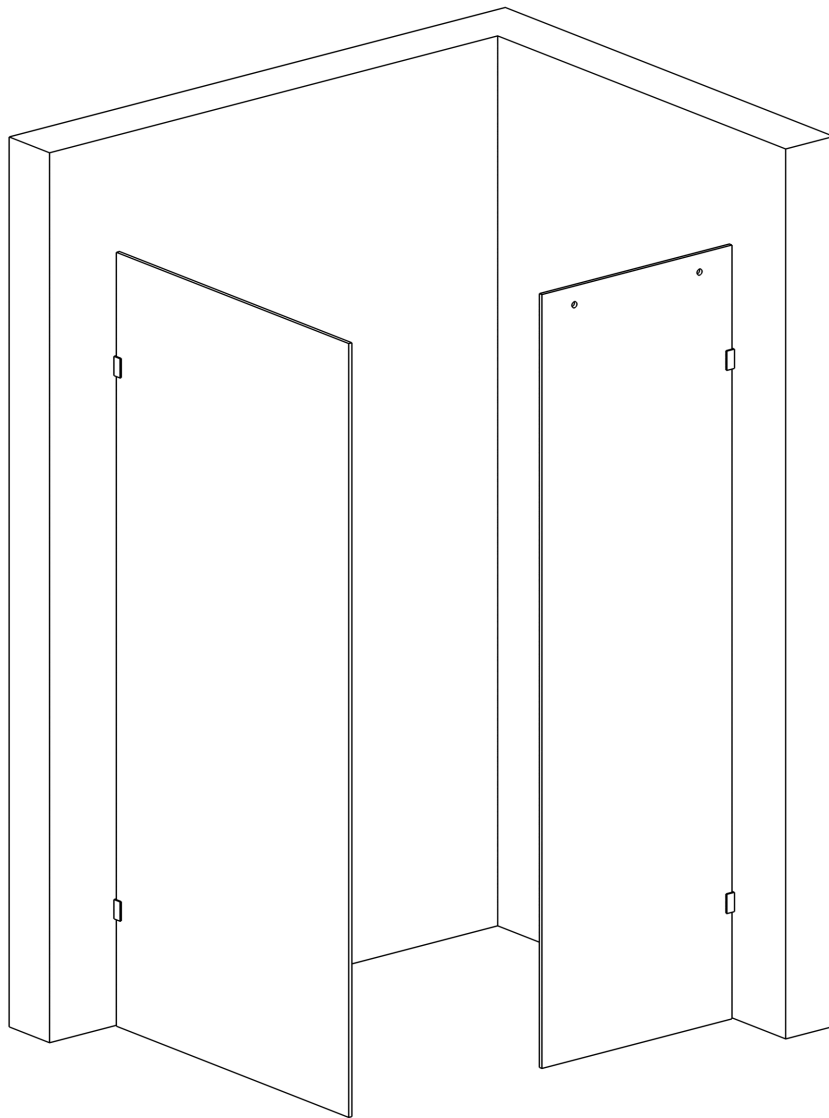
Insert wall plug

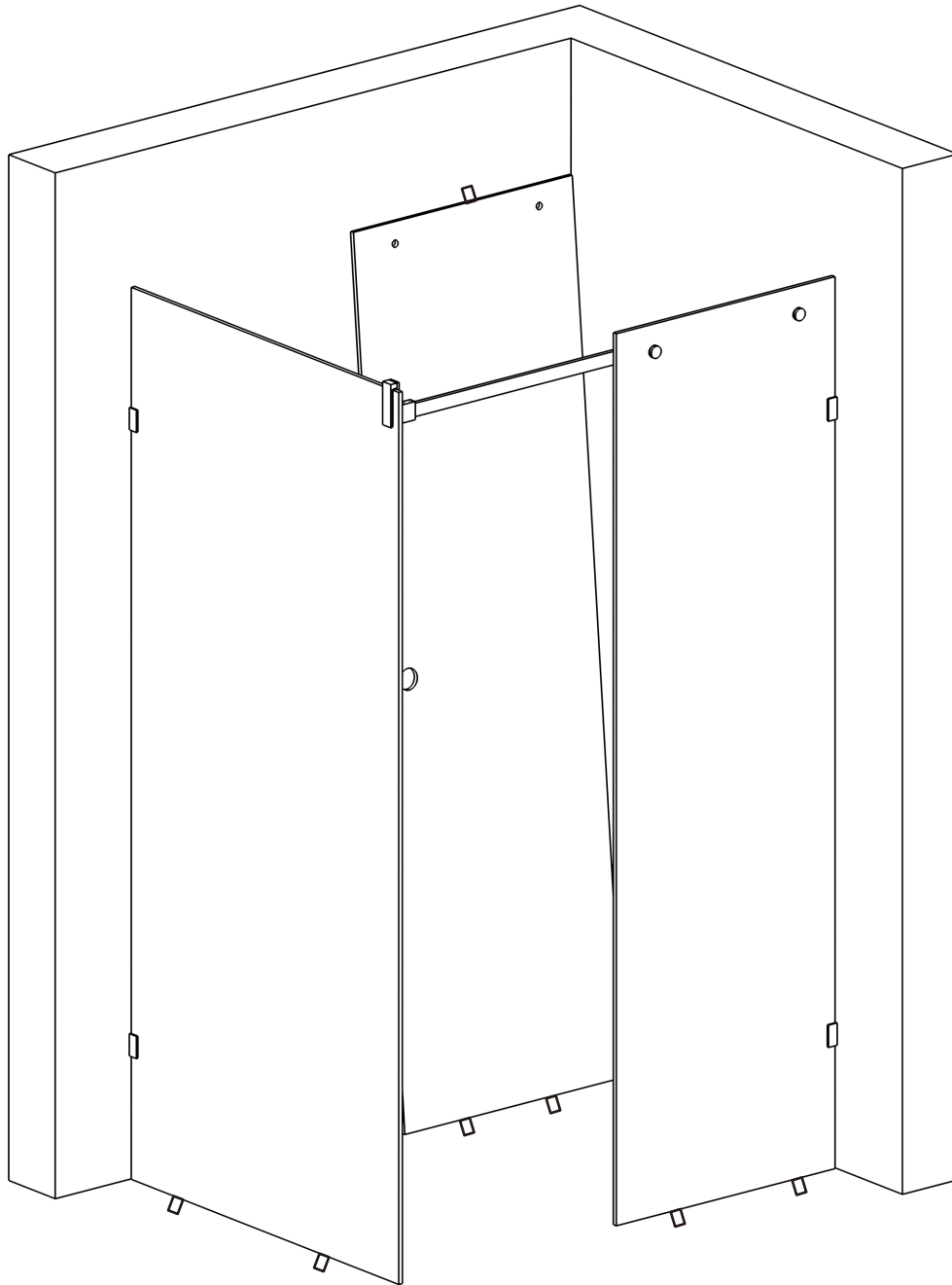


Silicon behind bracket

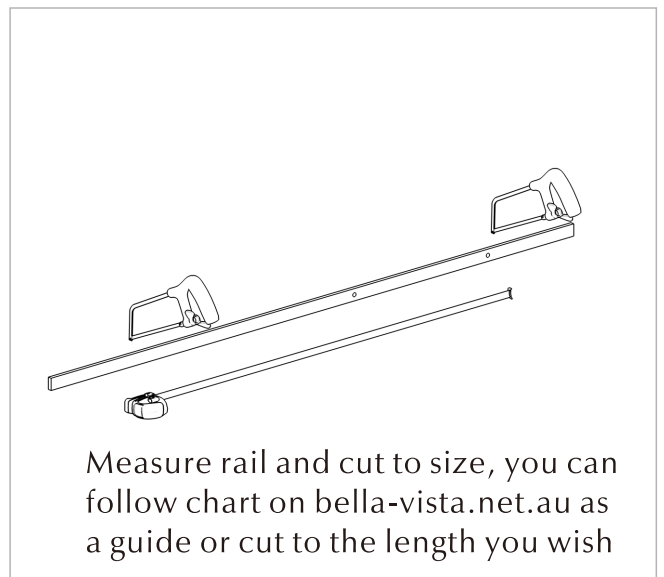


Tighten screw

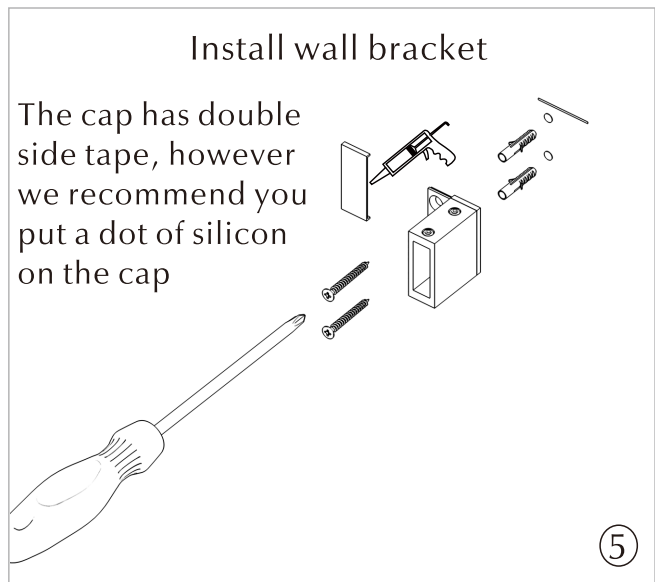
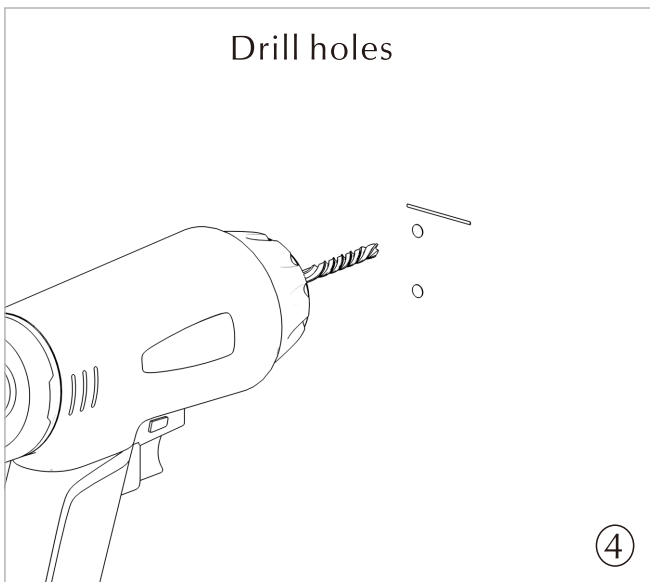
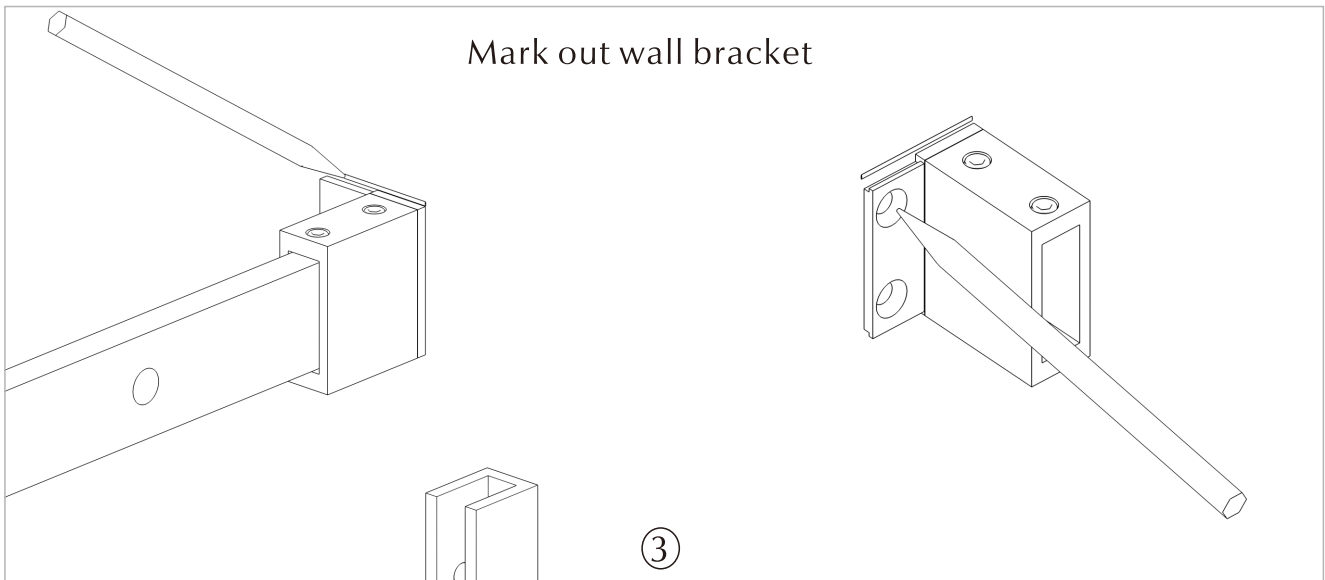
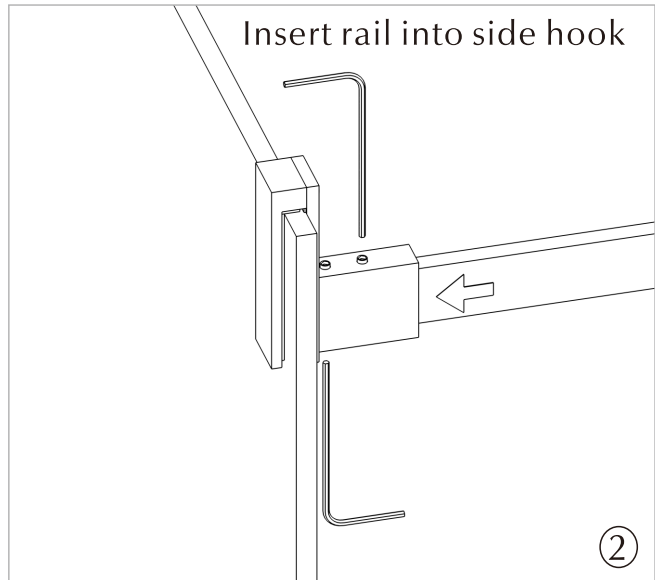
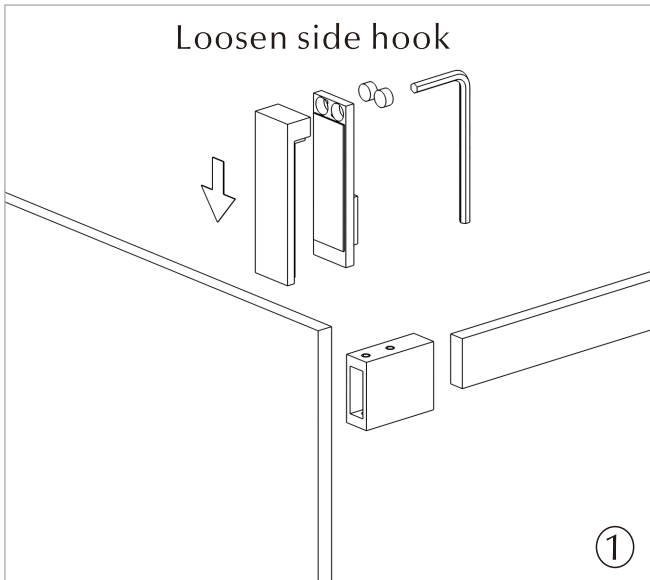




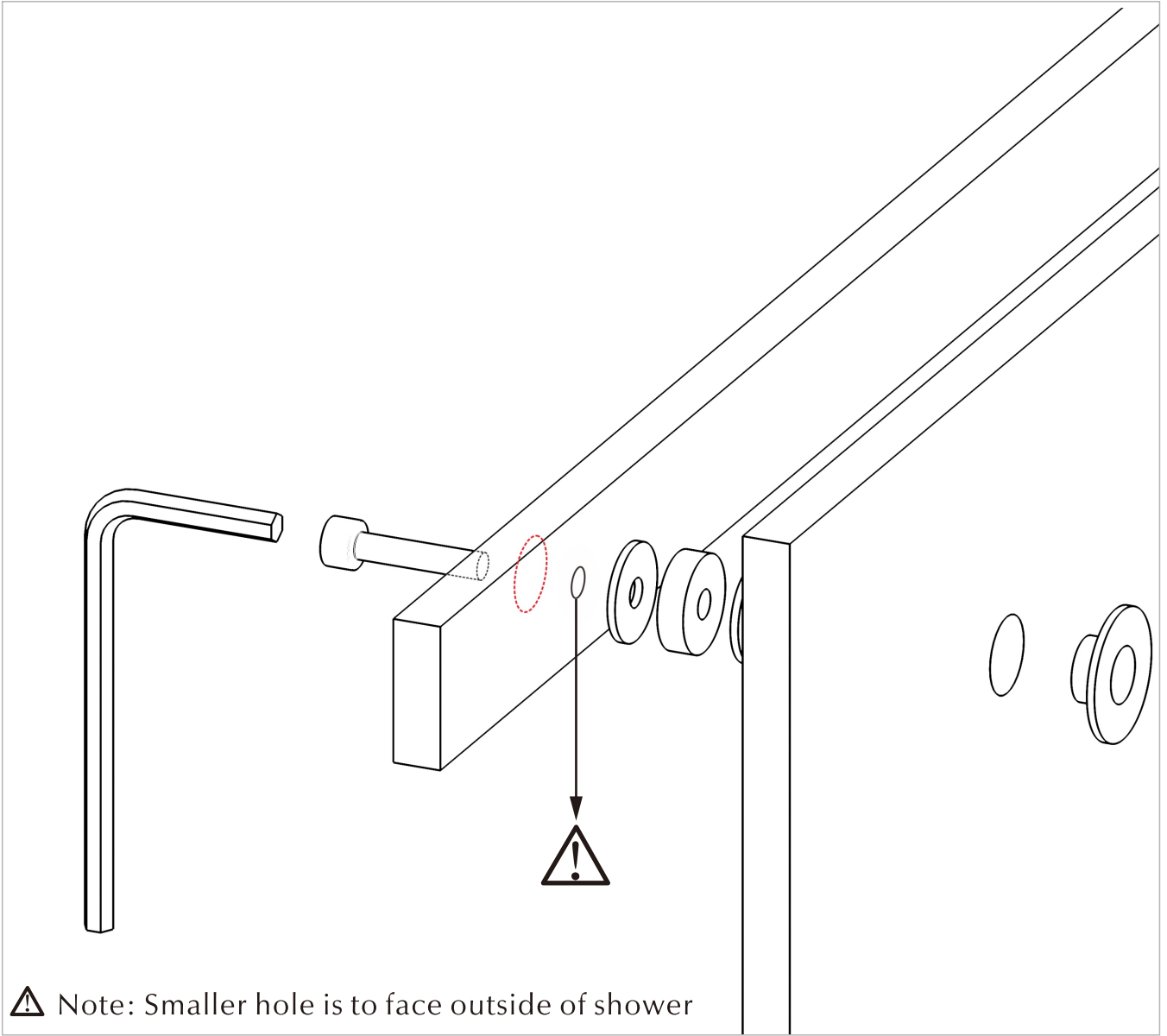
Note: Leave safety packers under glass until the end or come back once silicon is dry if unsafe to cut same day.



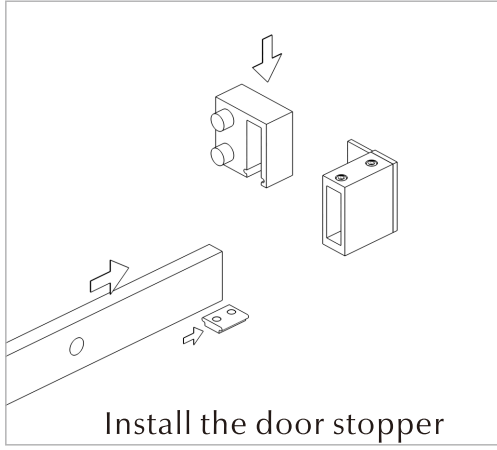
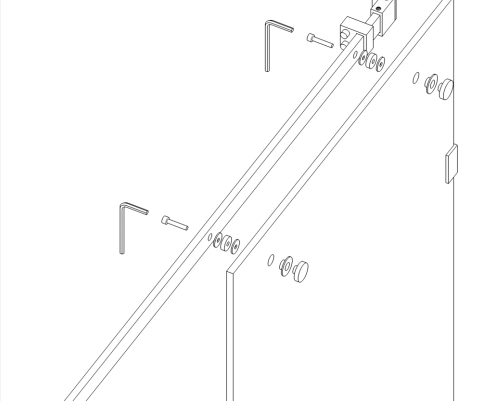
Measure rail and cut to size, you can follow chart on [bella-vista.net.au](http://bella-vista.net.au) as a guide or cut to the length you wish



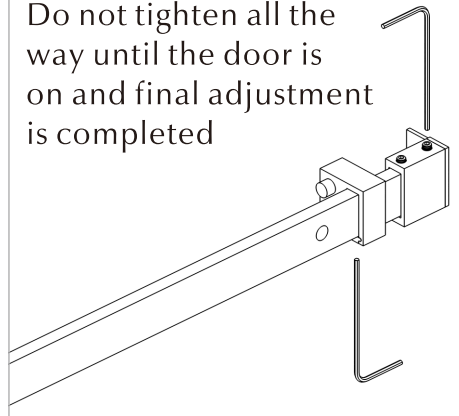


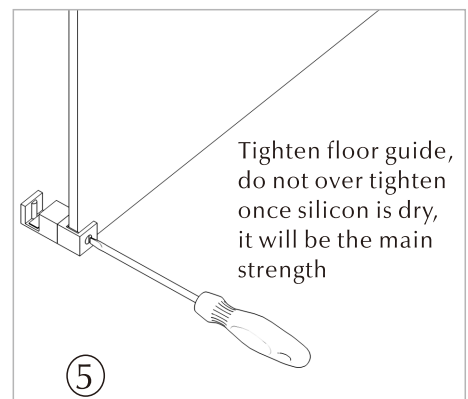
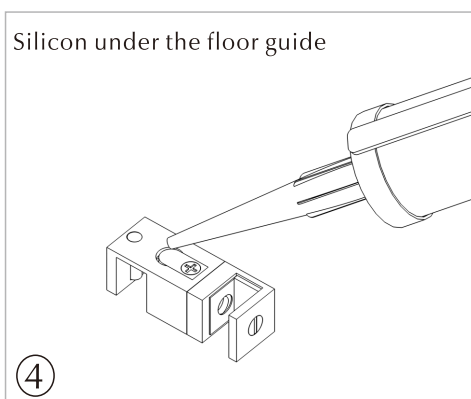
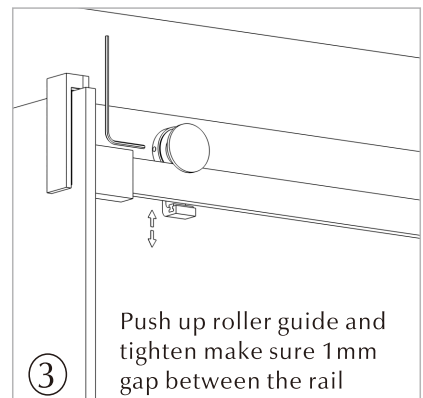
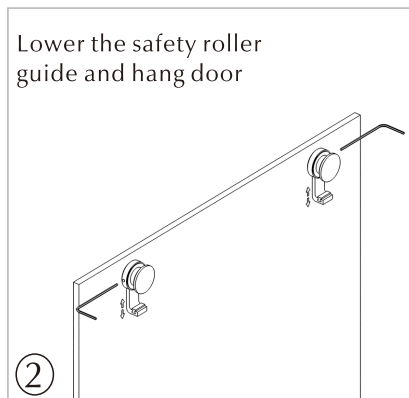
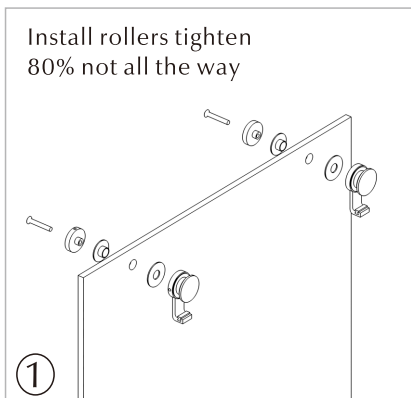
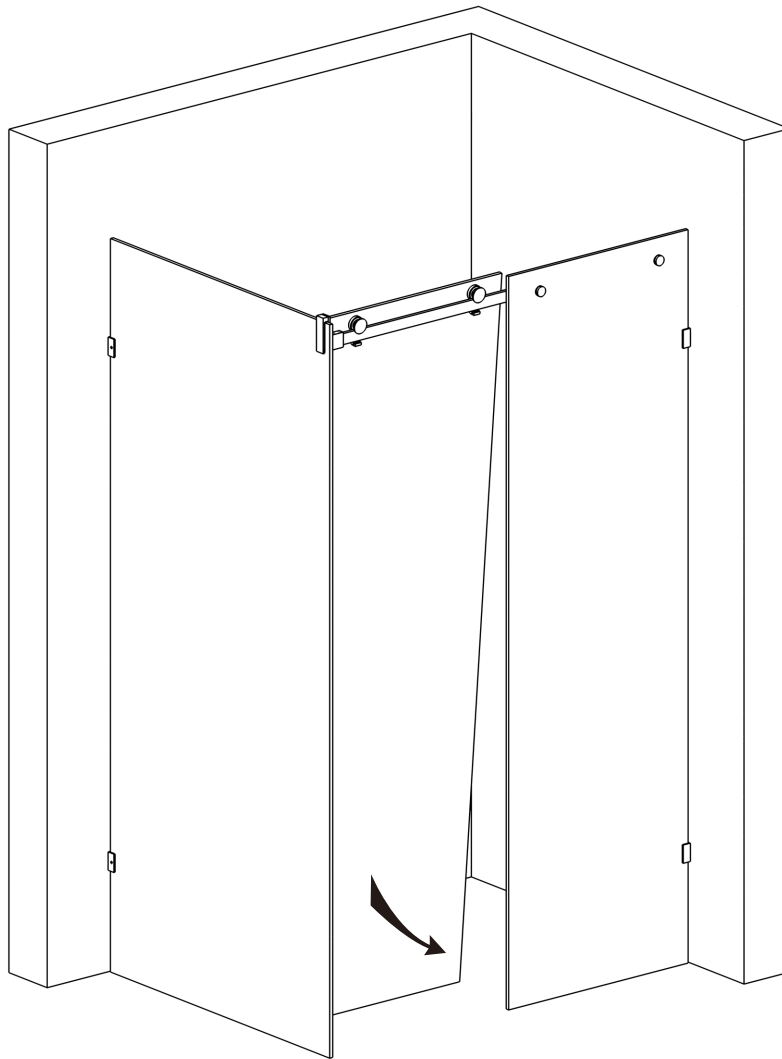


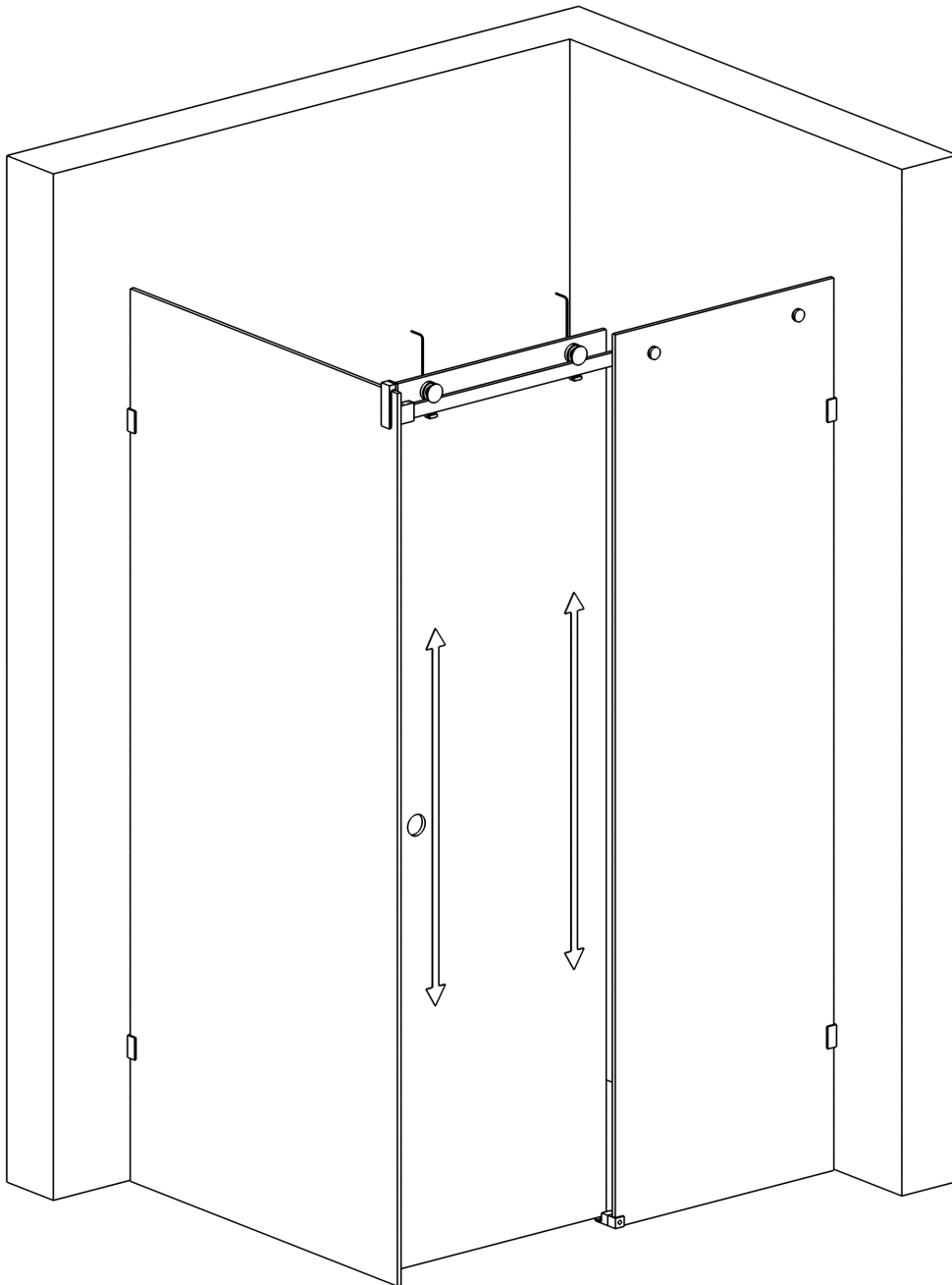
Connect rail to glass



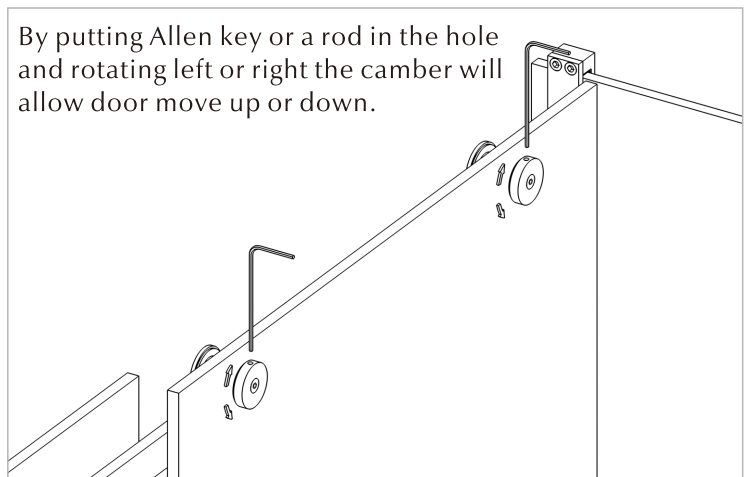
Do not tighten all the way until the door is on and final adjustment is completed



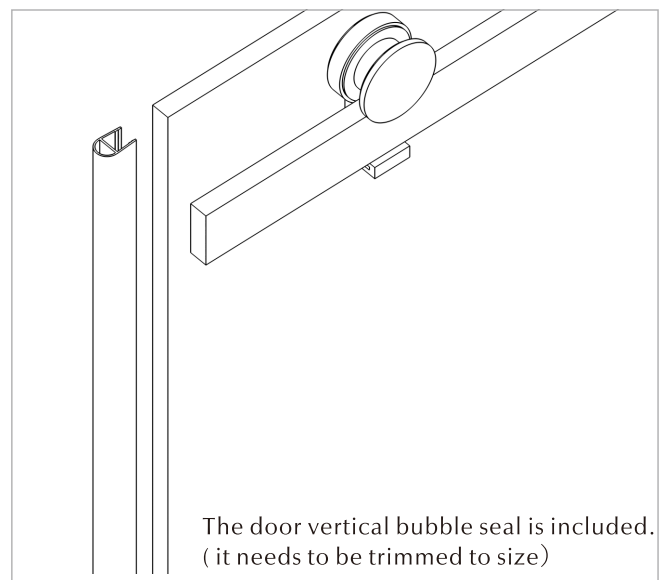
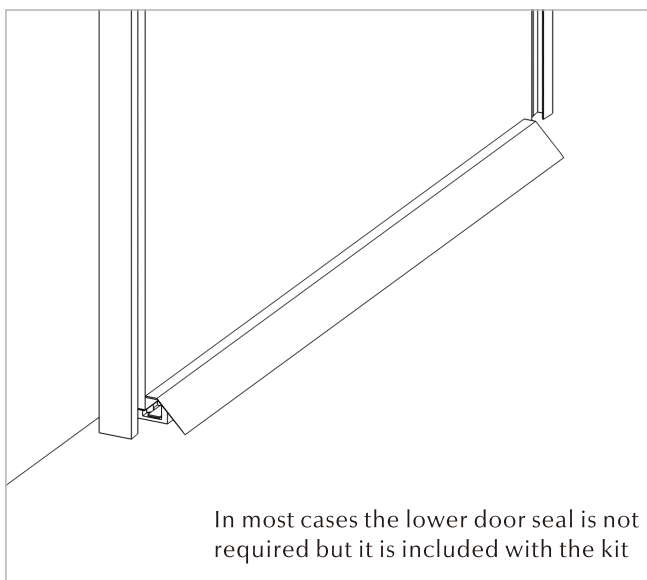
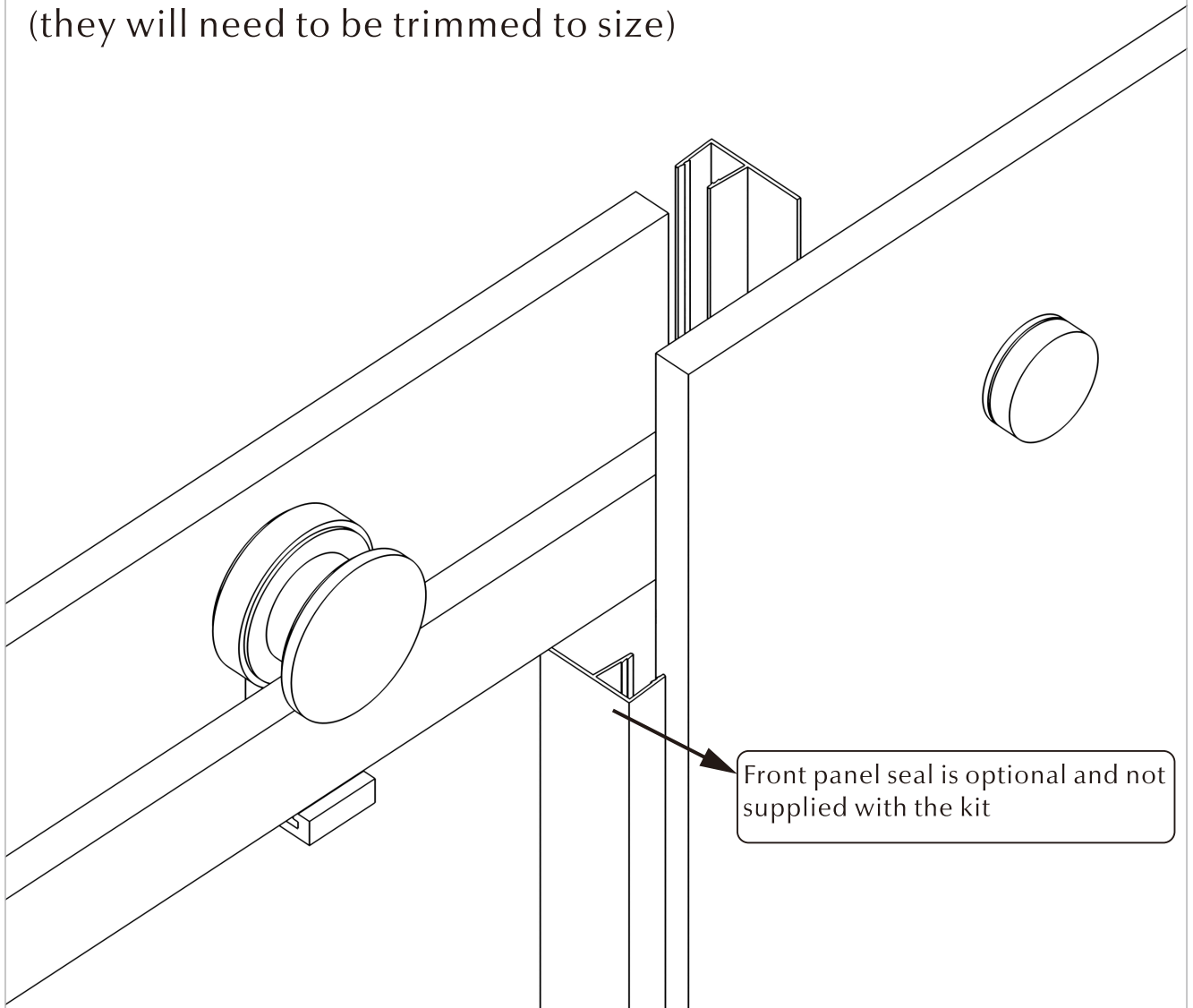


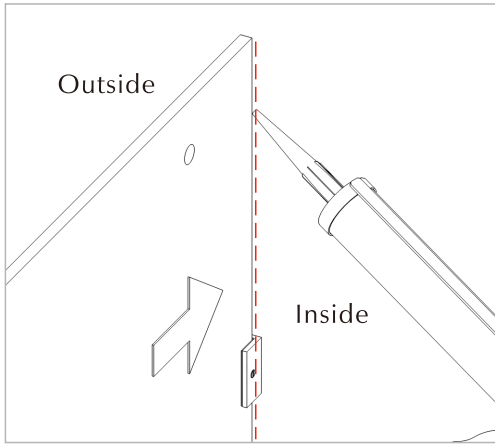


By putting Allen key or a rod in the hole and rotating left or right the cambar will allow door move up or down.

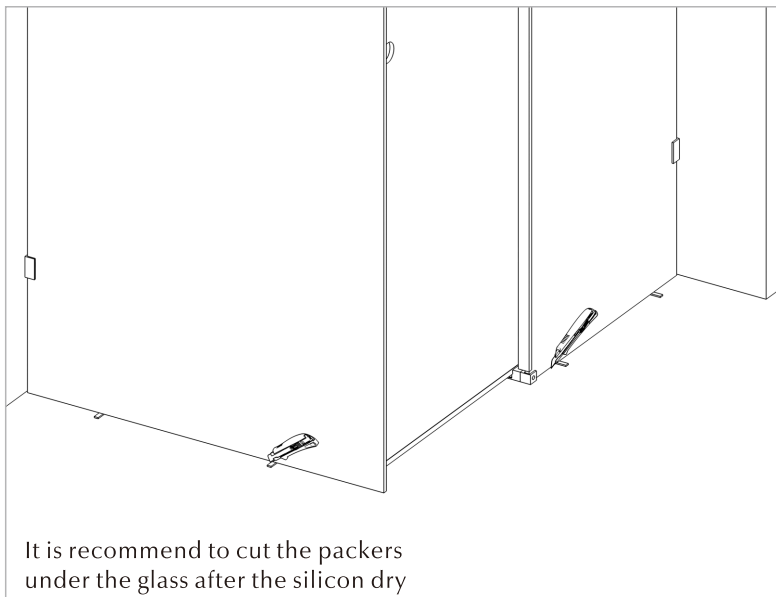
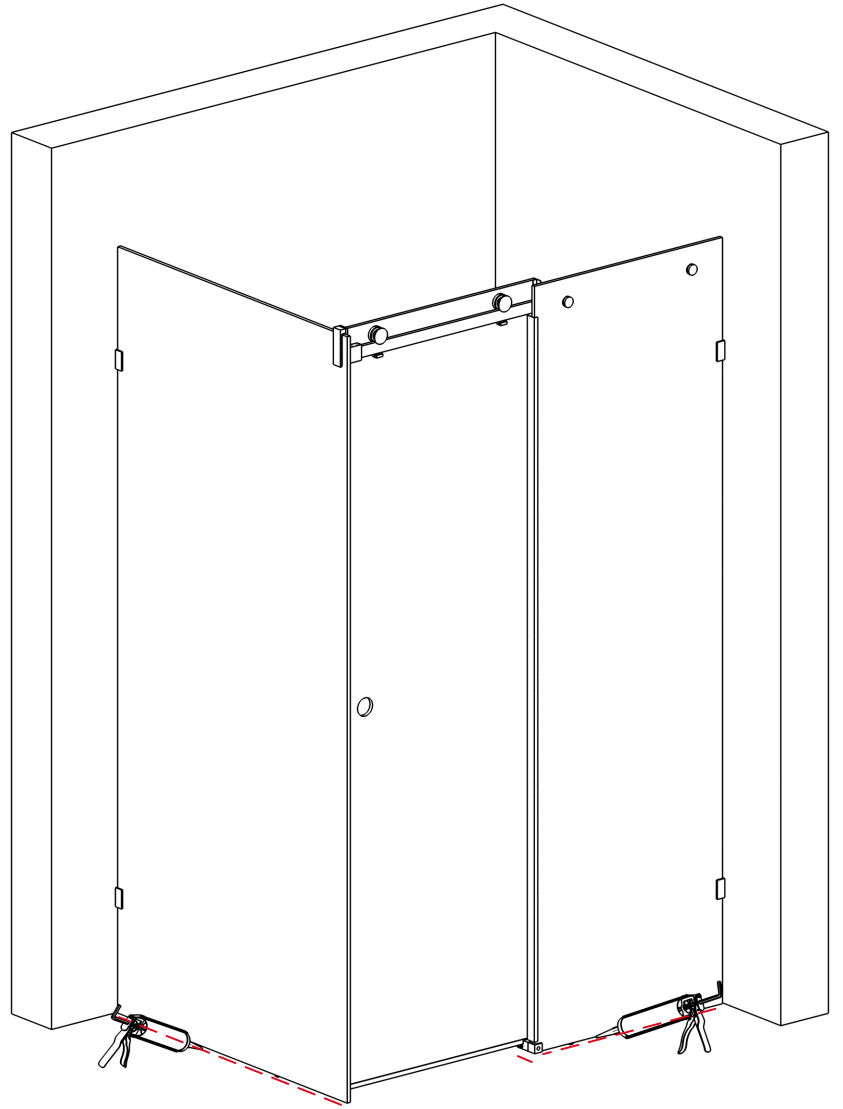


Install rear vertical seals  
(they will need to be trimmed to size)

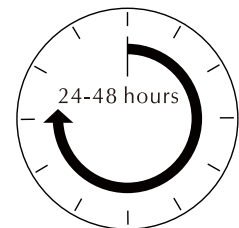




To avoid air bubbles in the silicon,  
We recommend you pump silicon  
from inside until it pushes itself to  
the outside.



It is recommend to cut the packers  
under the glass after the silicon dry



Allow 24-48 hours for silicone to dry before use.  
(In colder temperatures silicon will take longer to dry)

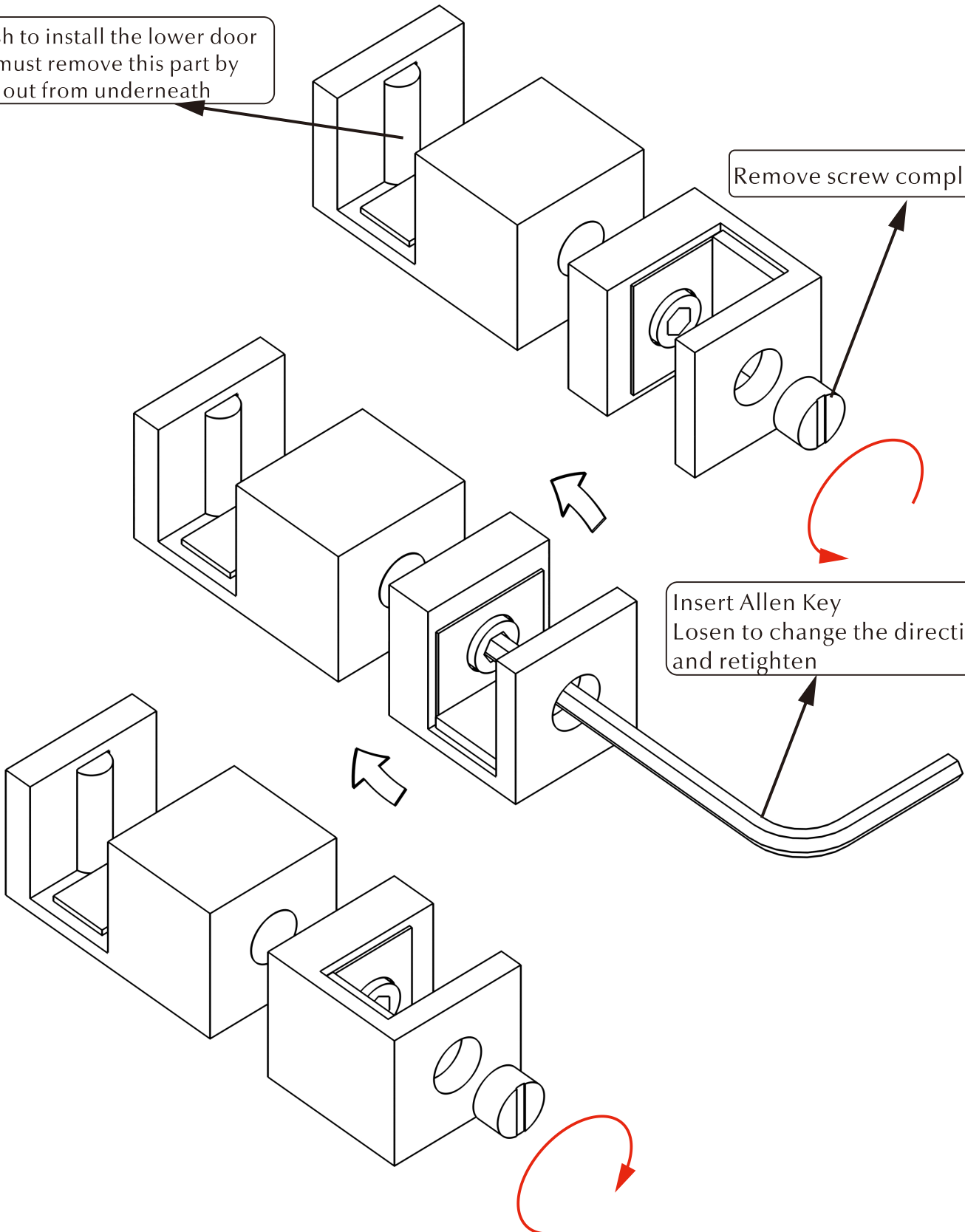
# Directional Floor Guide

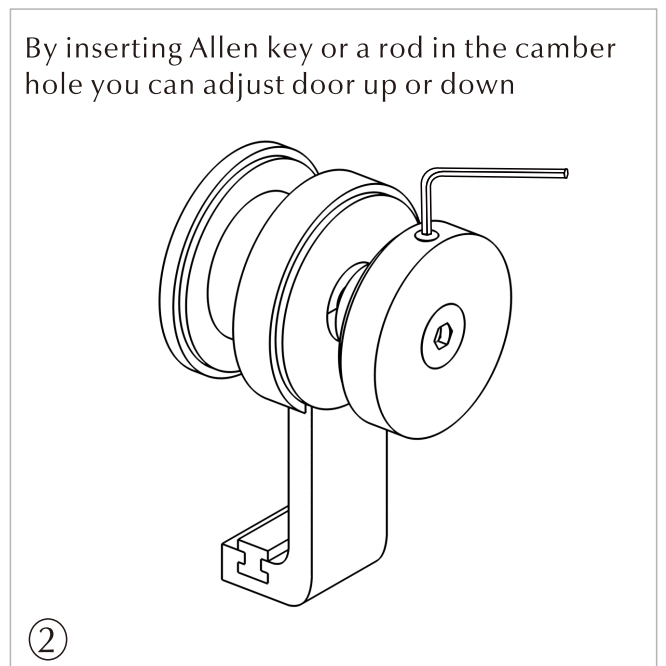
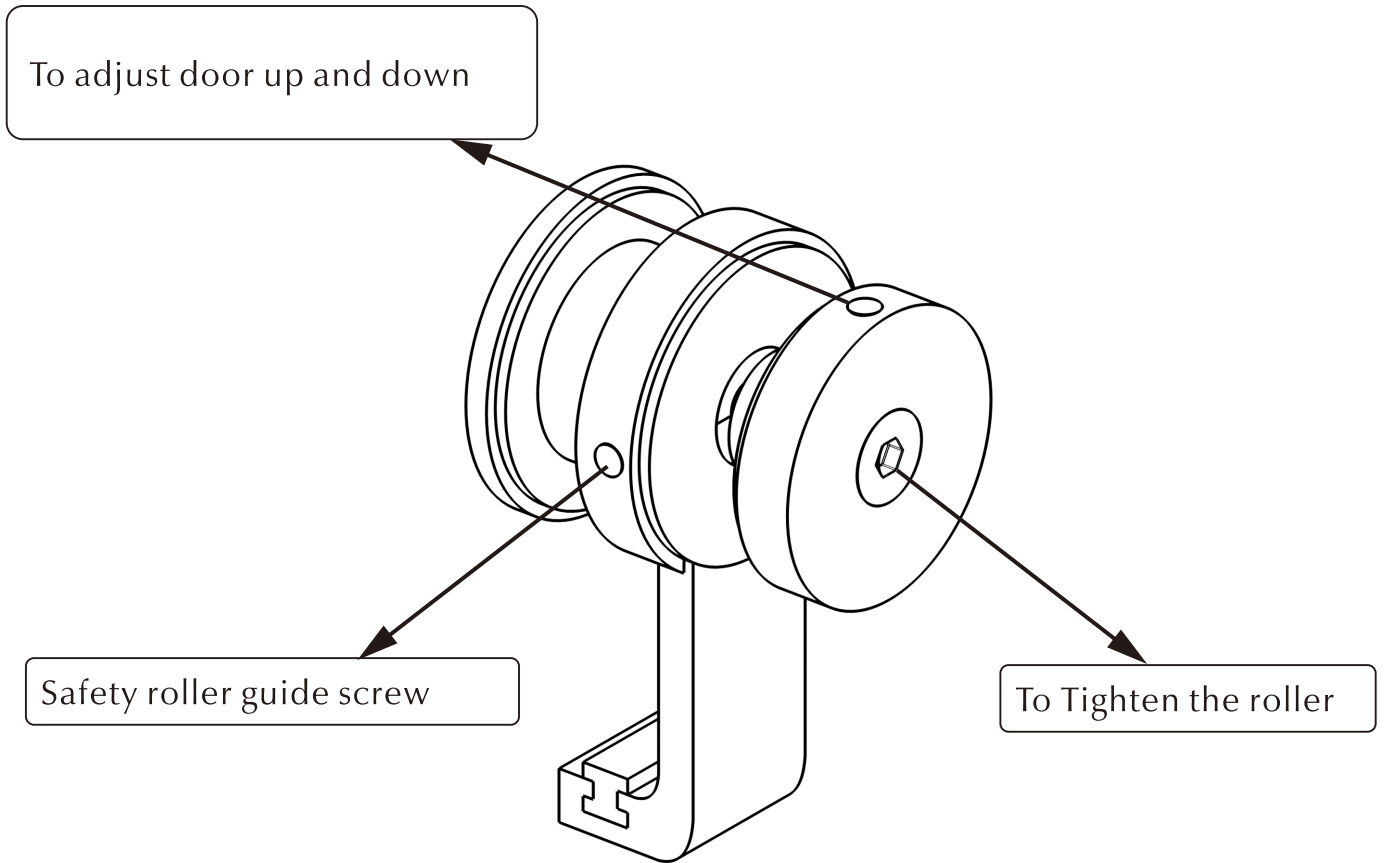
If you wish to install the lower door seal you must remove this part by drilling it out from underneath

Remove screw completely

Insert Allen Key  
Loosen to change the direction  
and retighten

Put the screw back on  
Do not over tighten, the screw is only holding the  
floor guide on till the silicon is dry





Note: Roller must be loosened to enable adjustment

