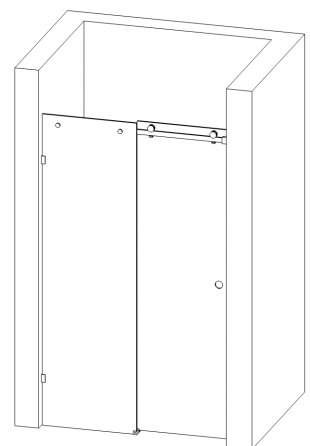
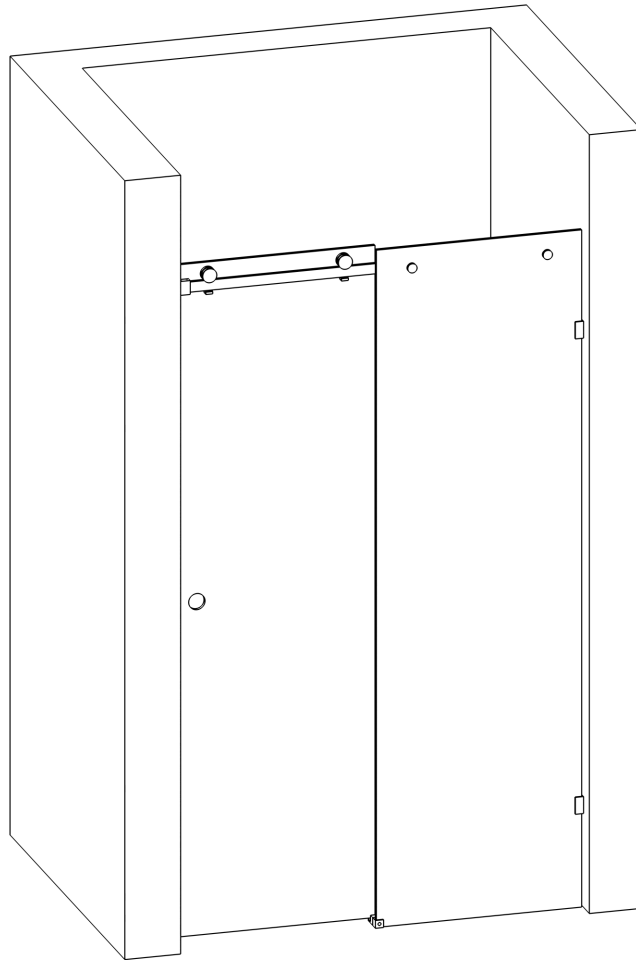


Frameless Sliding Shower Screen

Code: SLD 10mm

Front Only

Wall bracket/patch fitting



Left hand or Right hand Installation Guide

◆ General Information

Please inspect the product immediately upon receipt for transit damage, missing packs/parts or manufacturing fault. Damage reported after installation will not be accepted. Please handle the product with care avoiding knocks and shock loading to all sides and edges of the glass

Notes: Safety glass can not be re-worked

Please read these instructions carefully before start of installation.

Special care should be taken when drilling walls to avoid hidden pipes or electrical cables.

Note: This product is heavy and may require two people to install.

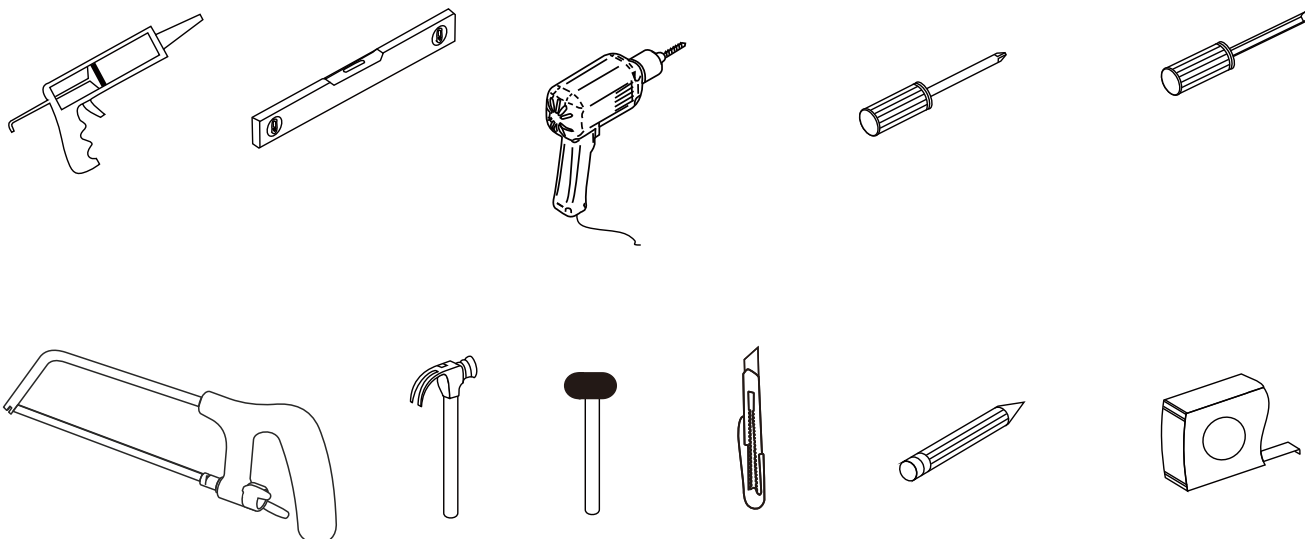
Aftercare instructions

After use, your shower should be cleaned with soap and water. This is particularly important in hard water districts where insoluble lime salts may be deposited and allowed to build up. Cleaners of a gritty or abrasive nature should not be used. Care should be taken to avoid contact with strong chemicals such as organic solvents and strippers.

Glass cleaners can be used but with caution, if in doubt contact the manufacturer of the cleaner in question.

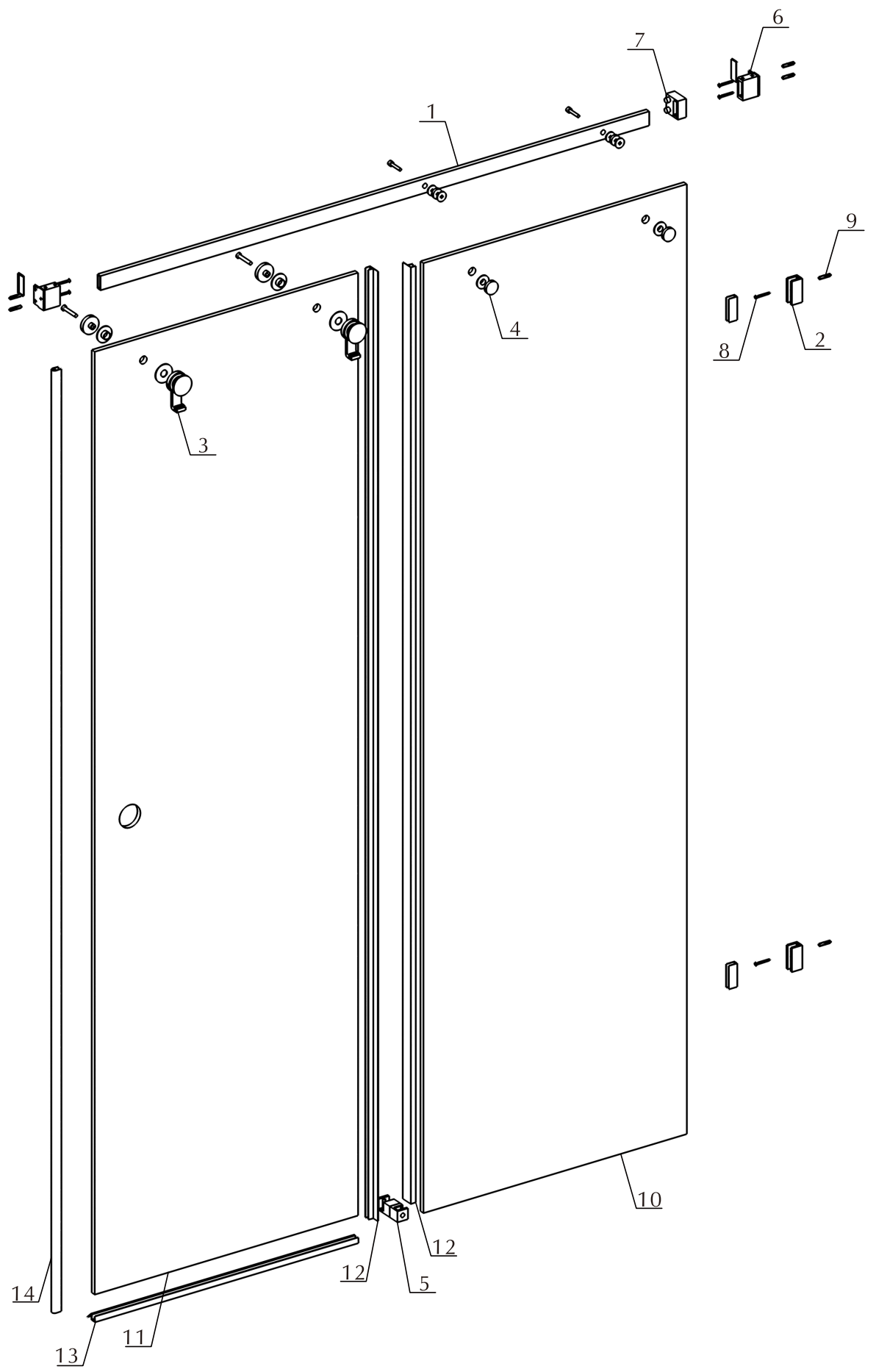
Please keep these instructions for aftercare and customer service details.

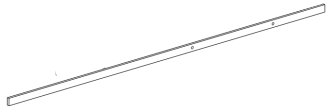
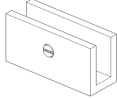

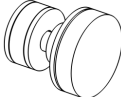
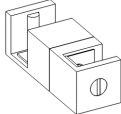
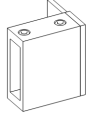
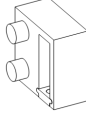
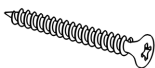
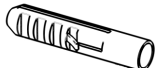



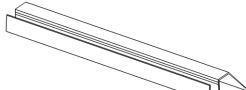
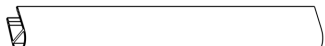
Tools Required

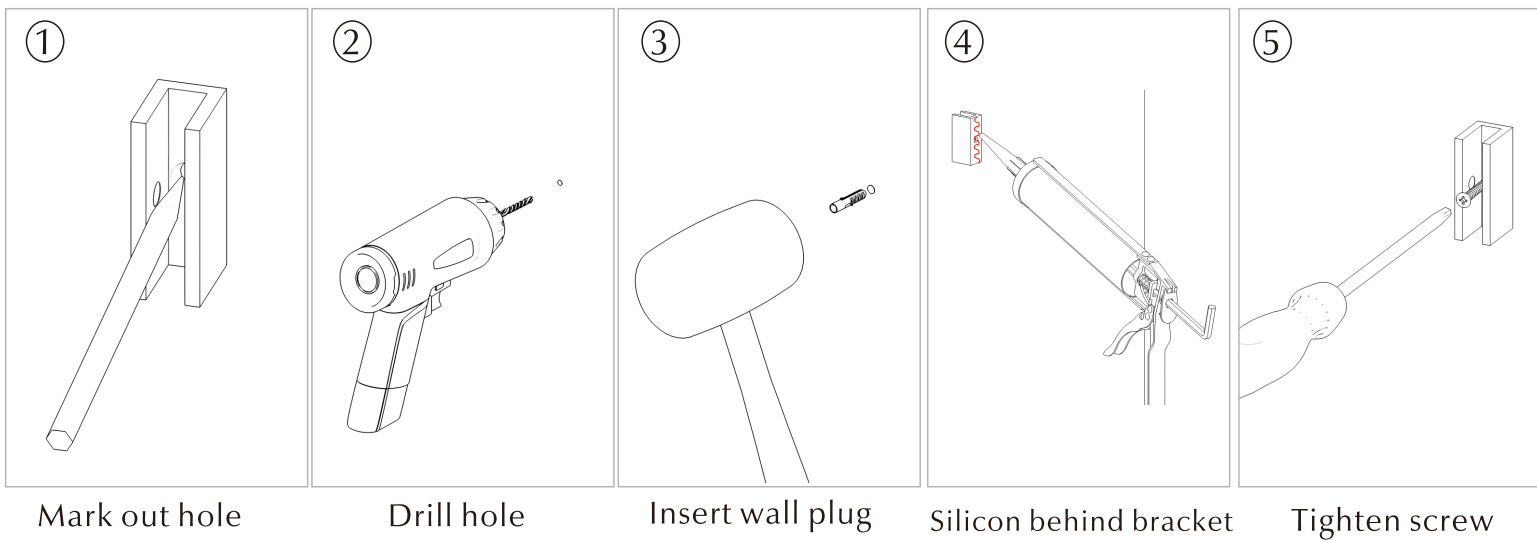
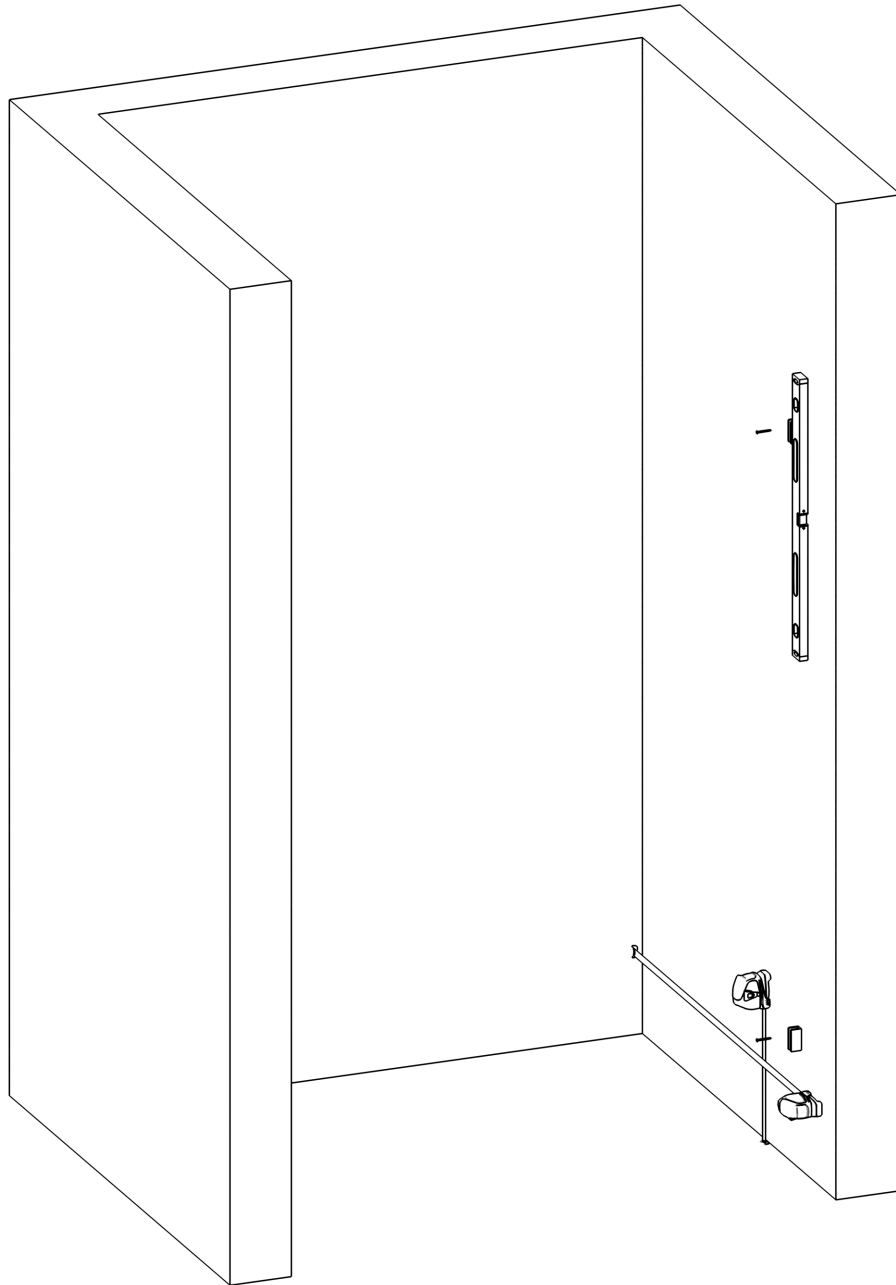


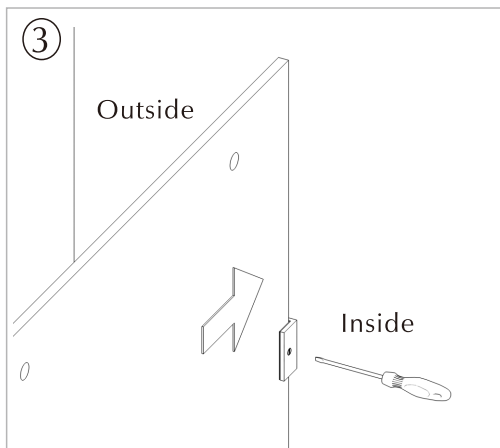
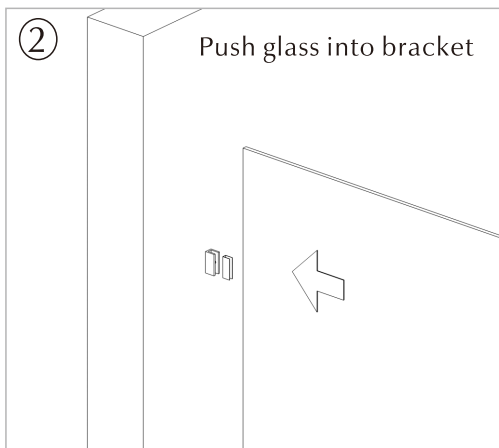
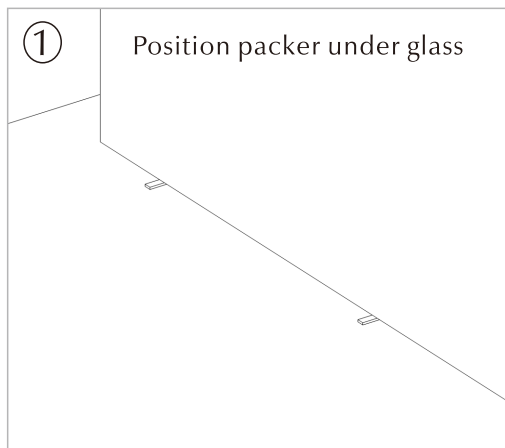
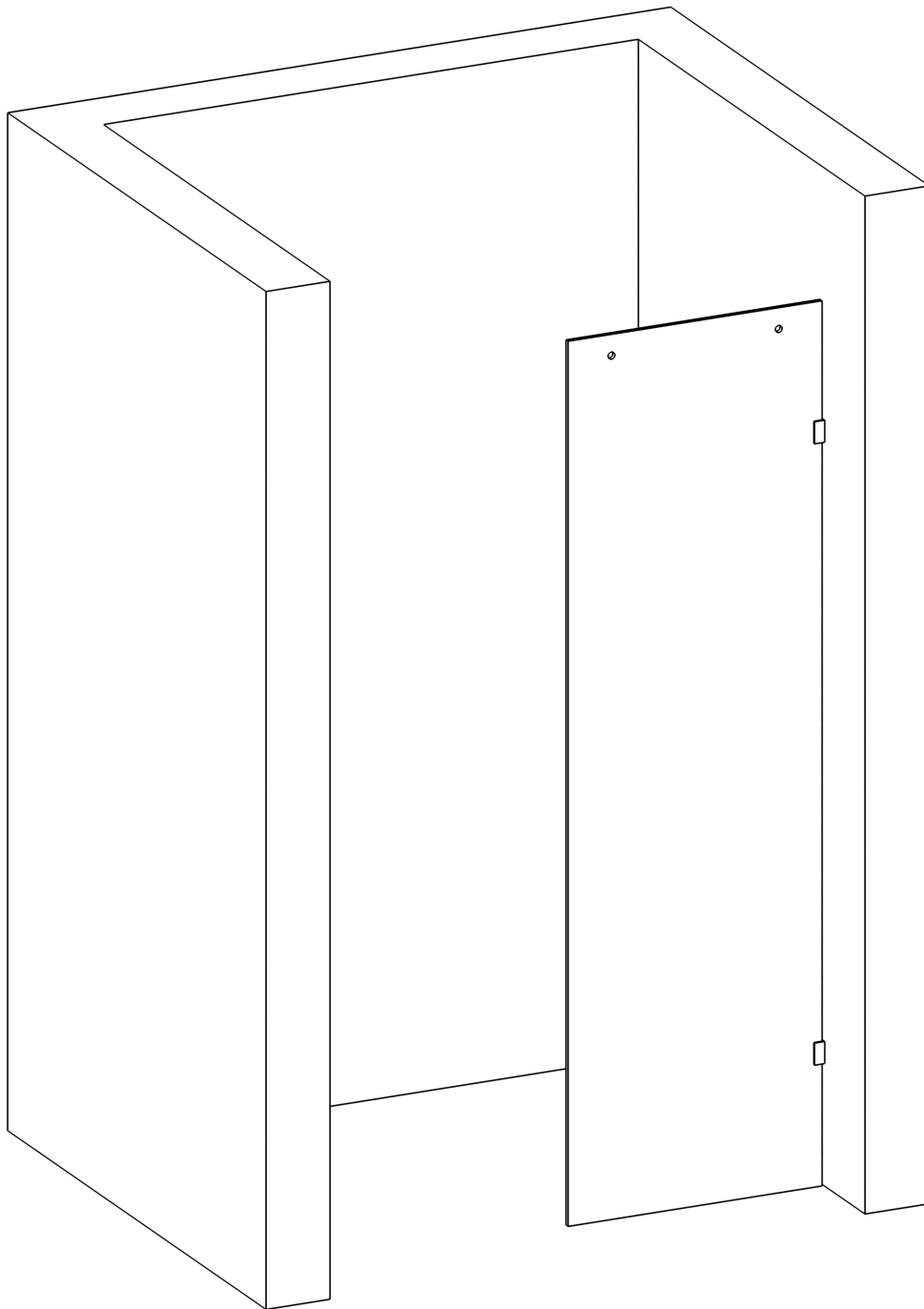
This product is heavy and may require two people to install.

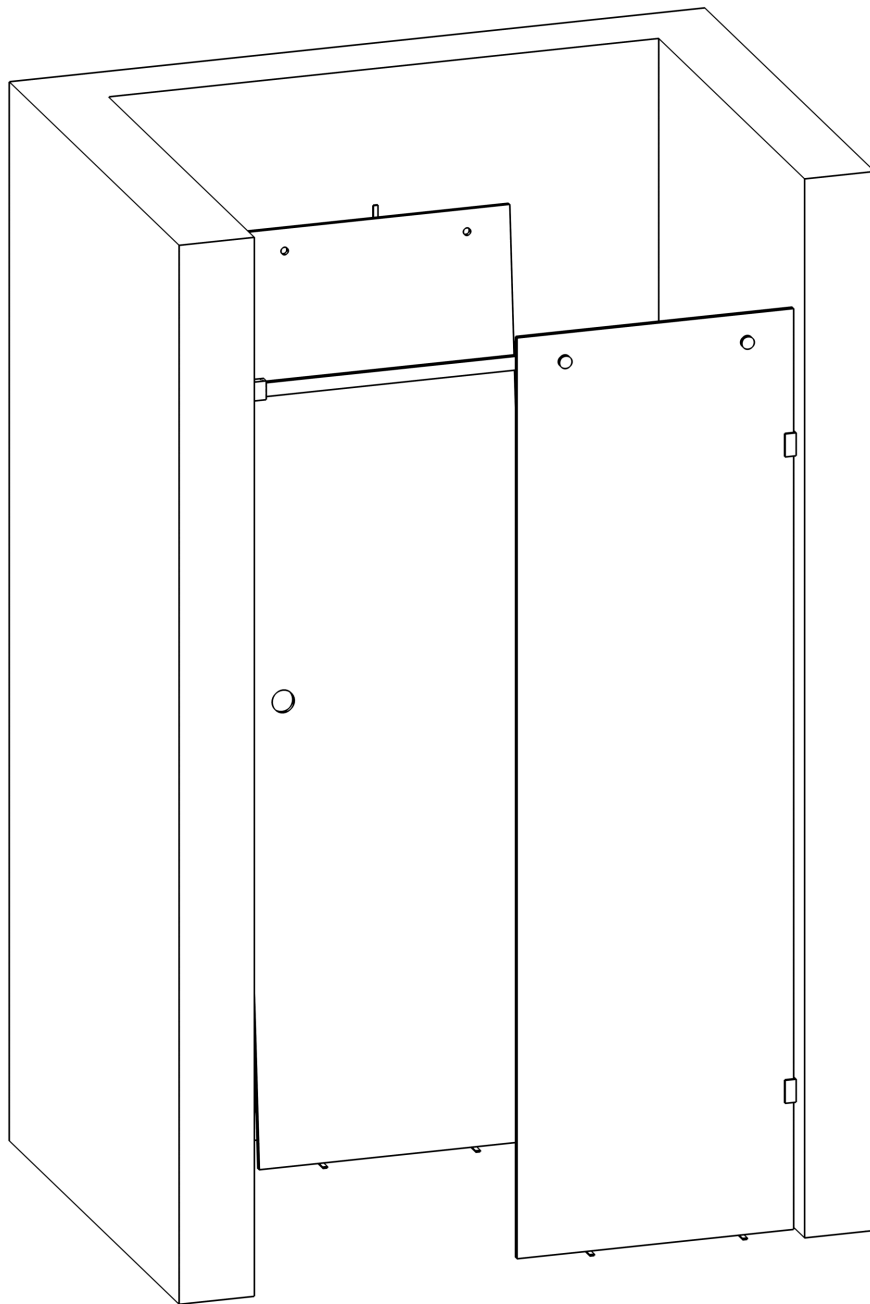




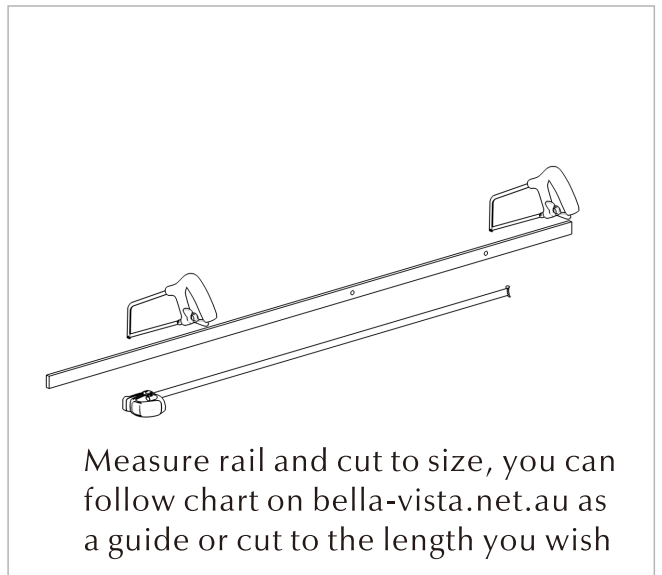
No.	Pic	Code	Qty
1		SLD-RAIL	1
2		BGP5025	2
3		SLD-ROLLOR	2
4		SLD-FPH-WASHER	2
5		SLD-FLRBRKT	1
6		SLD L Wall Bracket	2
7		SLD Wheel Stopper	1
8		Screw	2
9		Screw Wall plug	2
10		SLD-FPH	1
11		SLD-DP	1
12		Strip F	2
13		Strip Z	1
14		Strip B	1



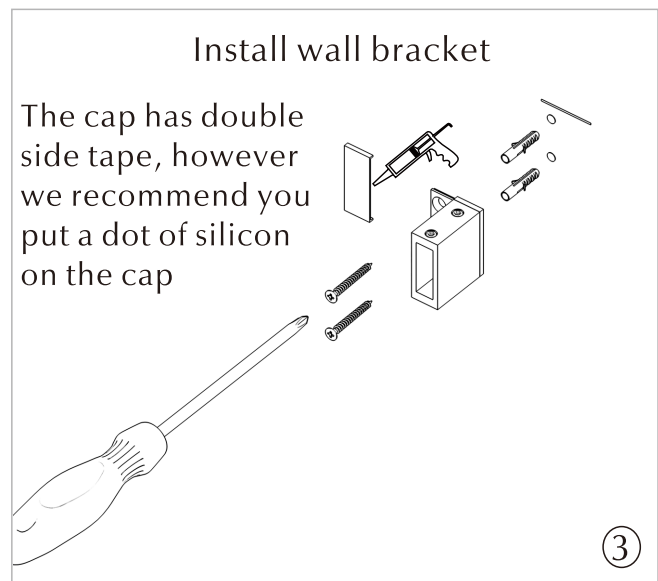
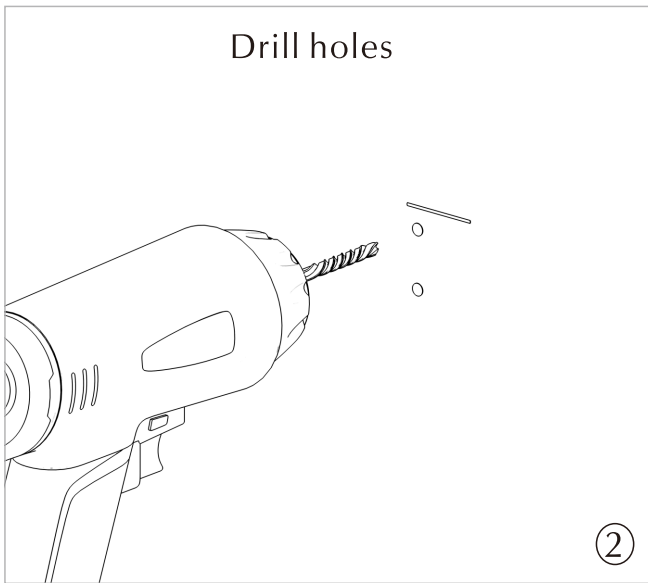
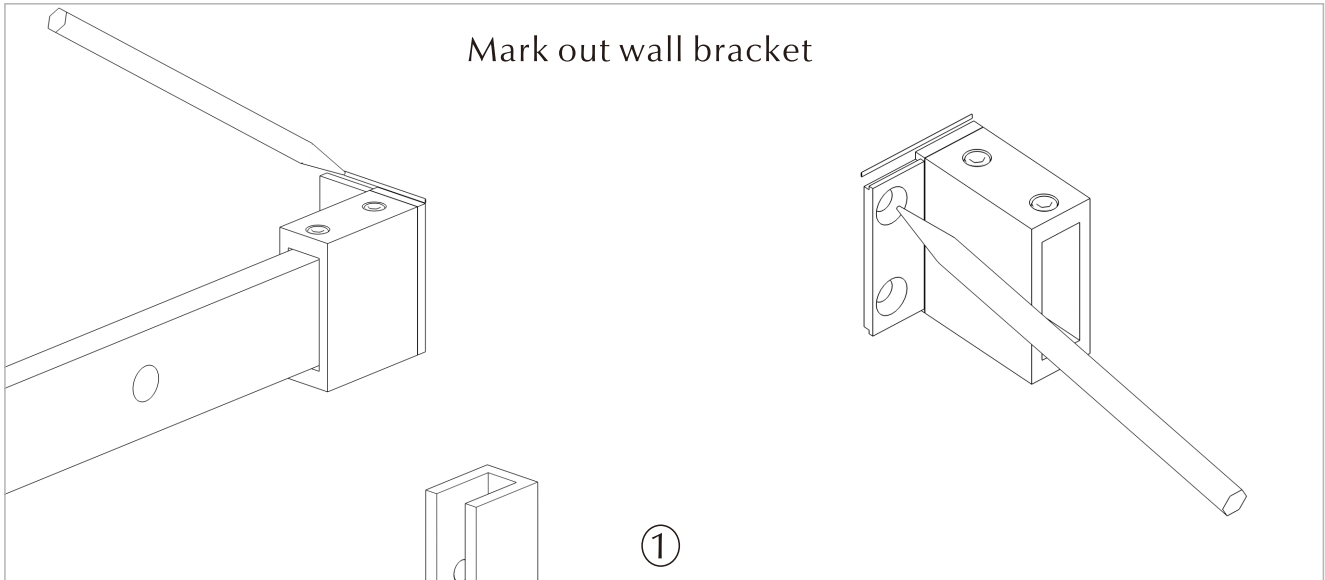


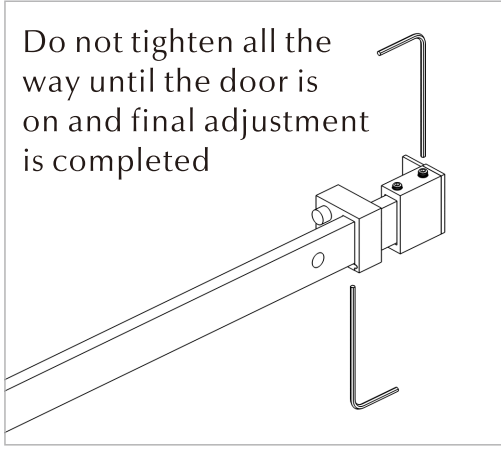
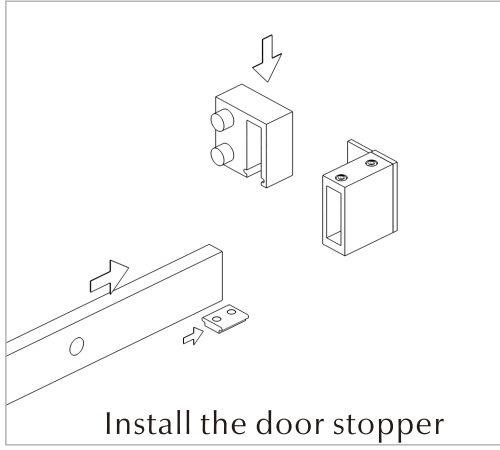
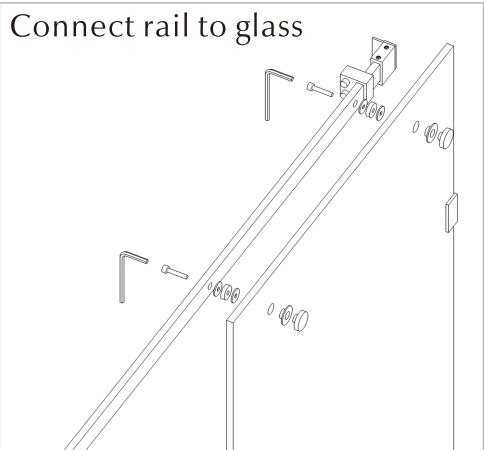
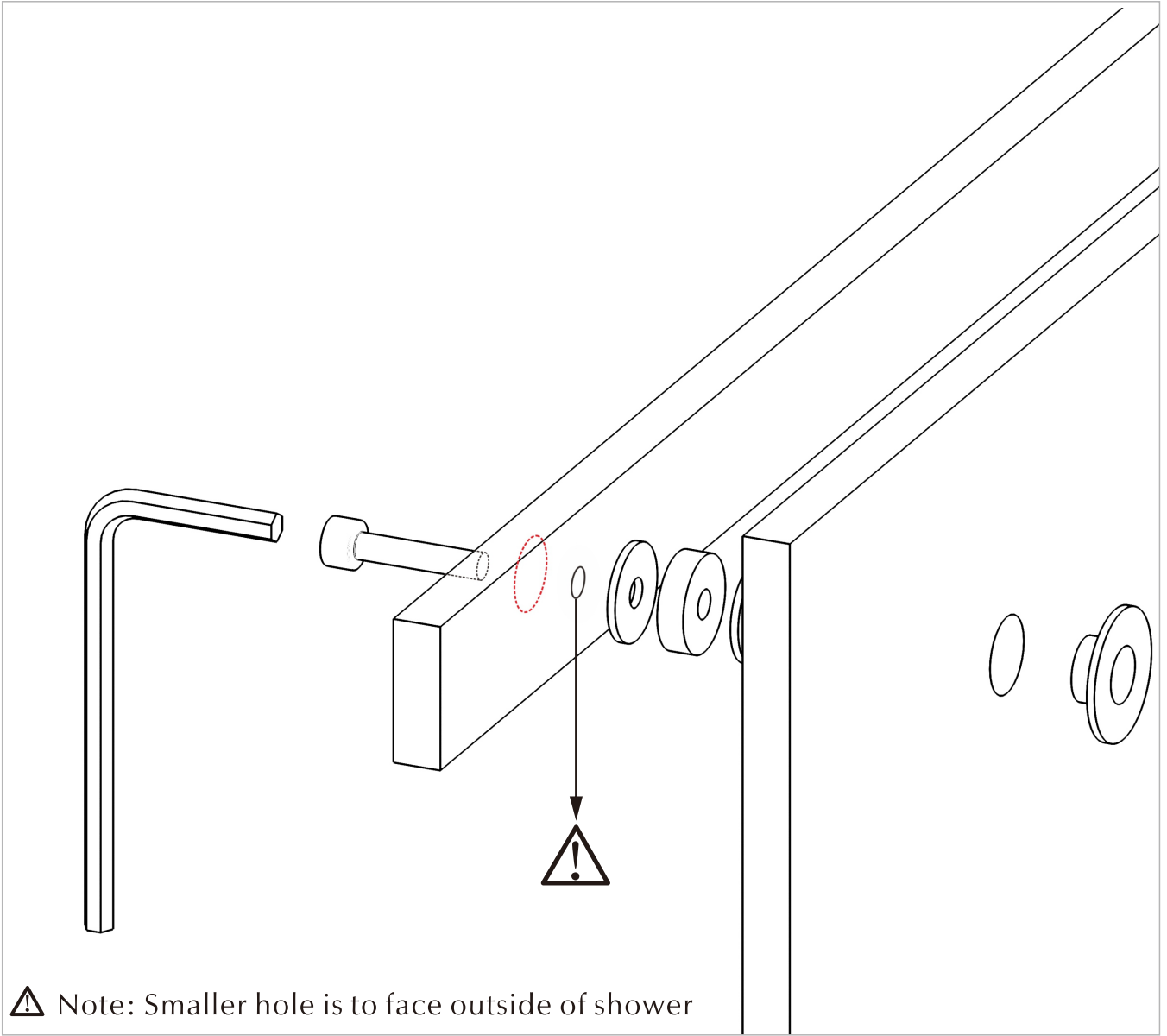


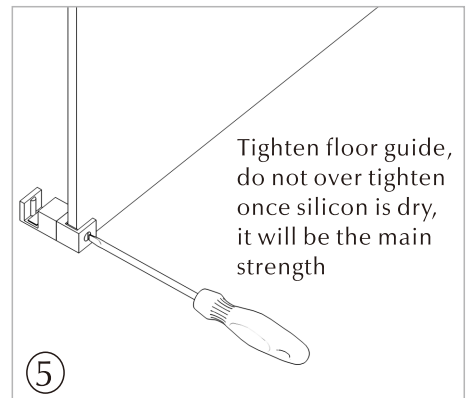
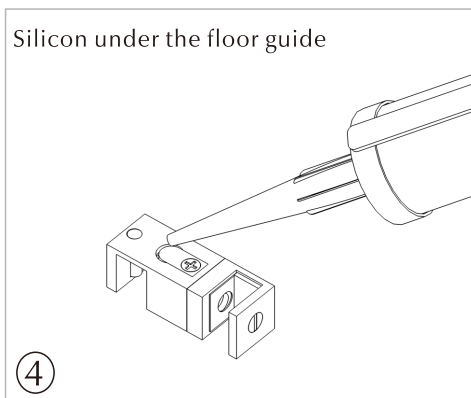
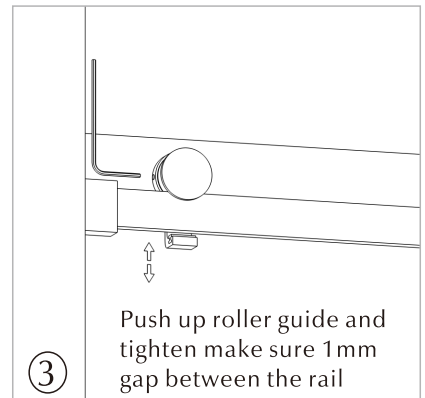
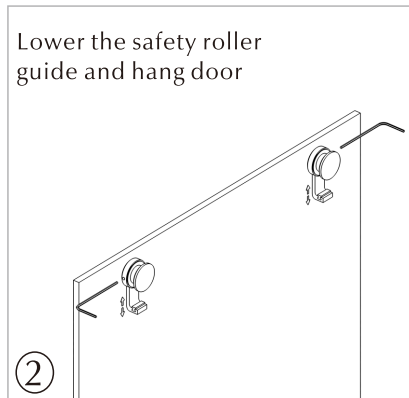
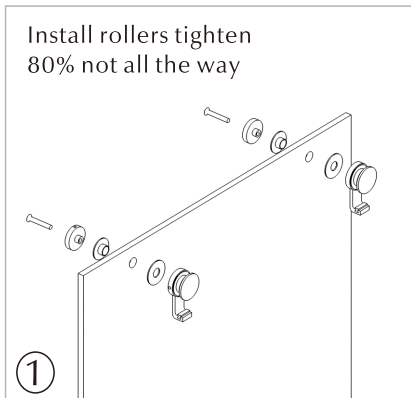
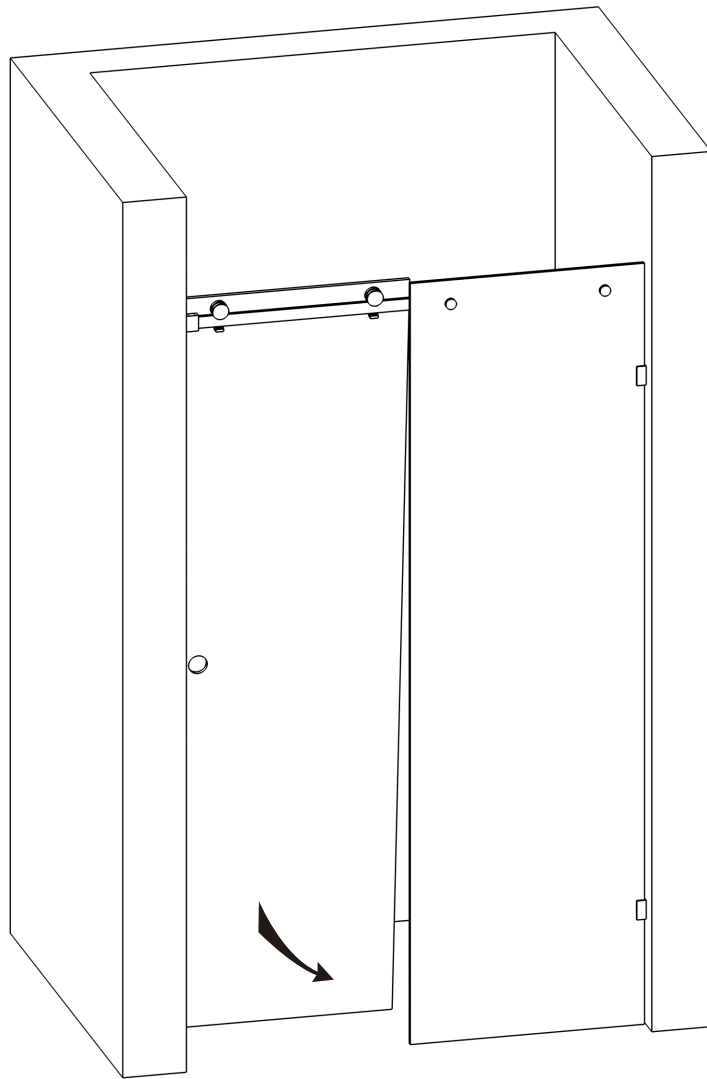
Note: Leave safety packers under glass until the end or come back once silicon is dry if unsafe to cut same day.

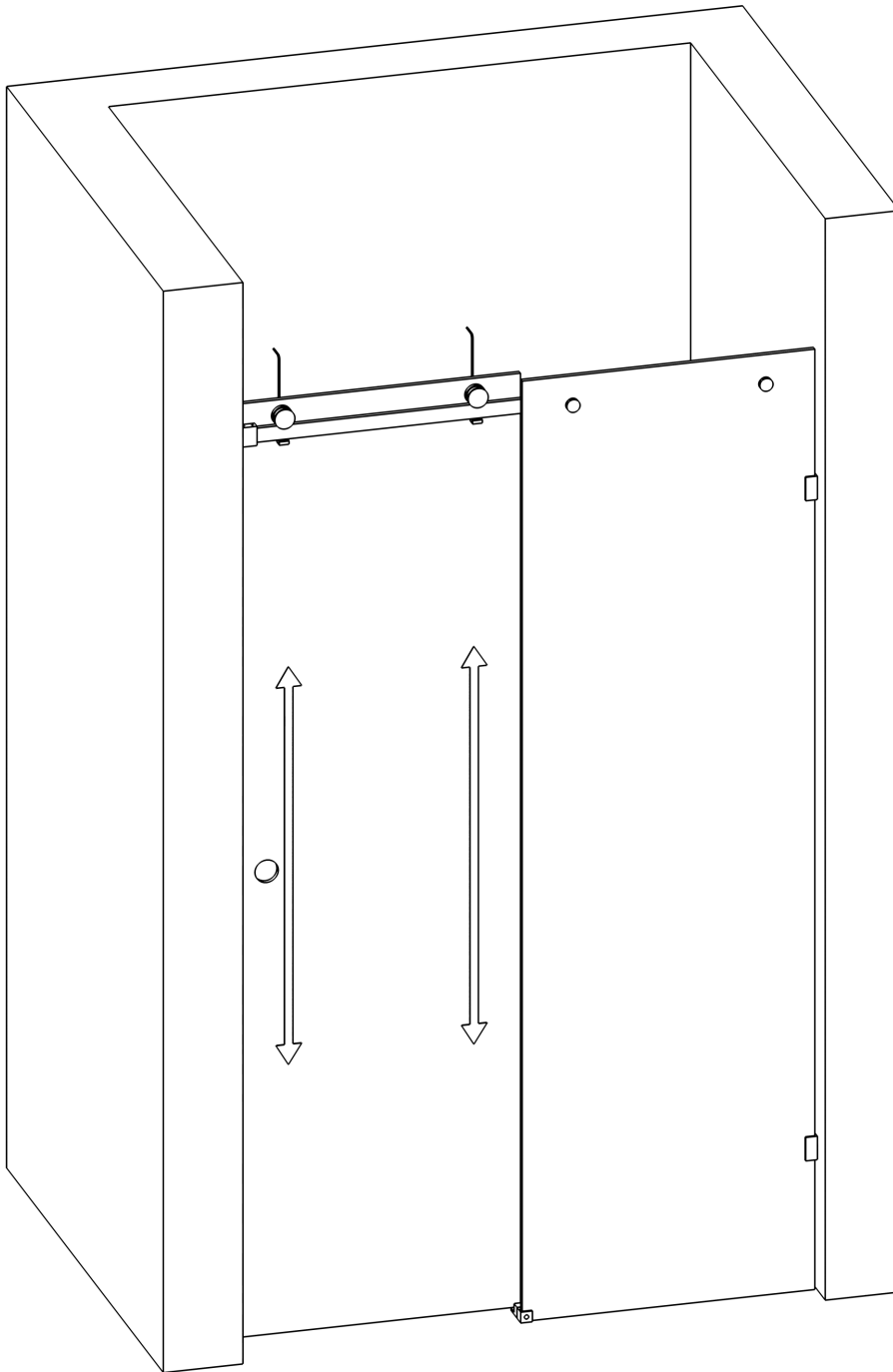


Measure rail and cut to size, you can follow chart on bella-vista.net.au as a guide or cut to the length you wish

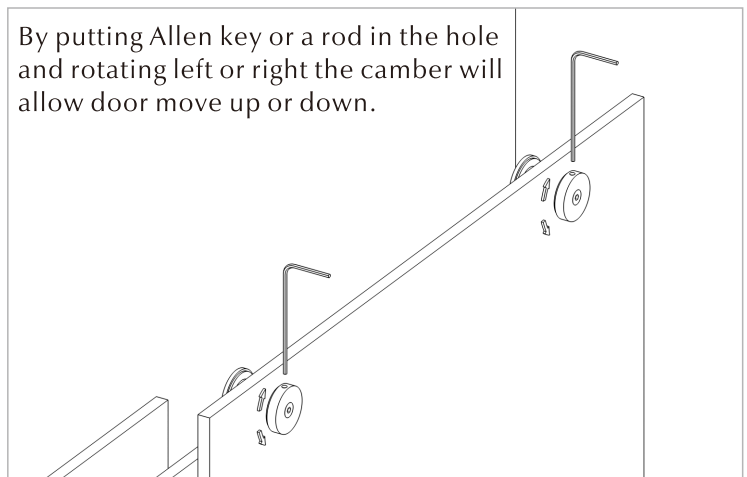




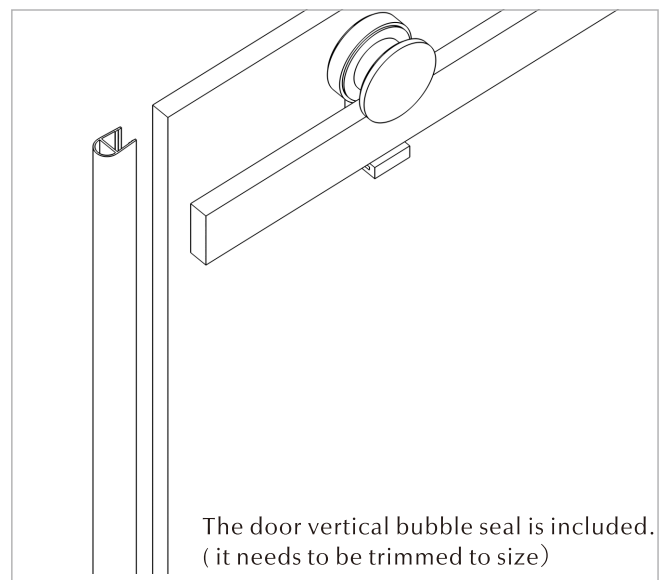
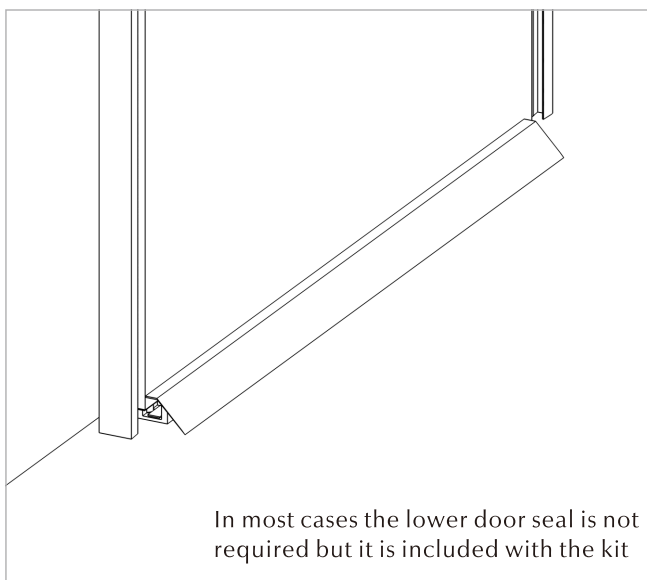
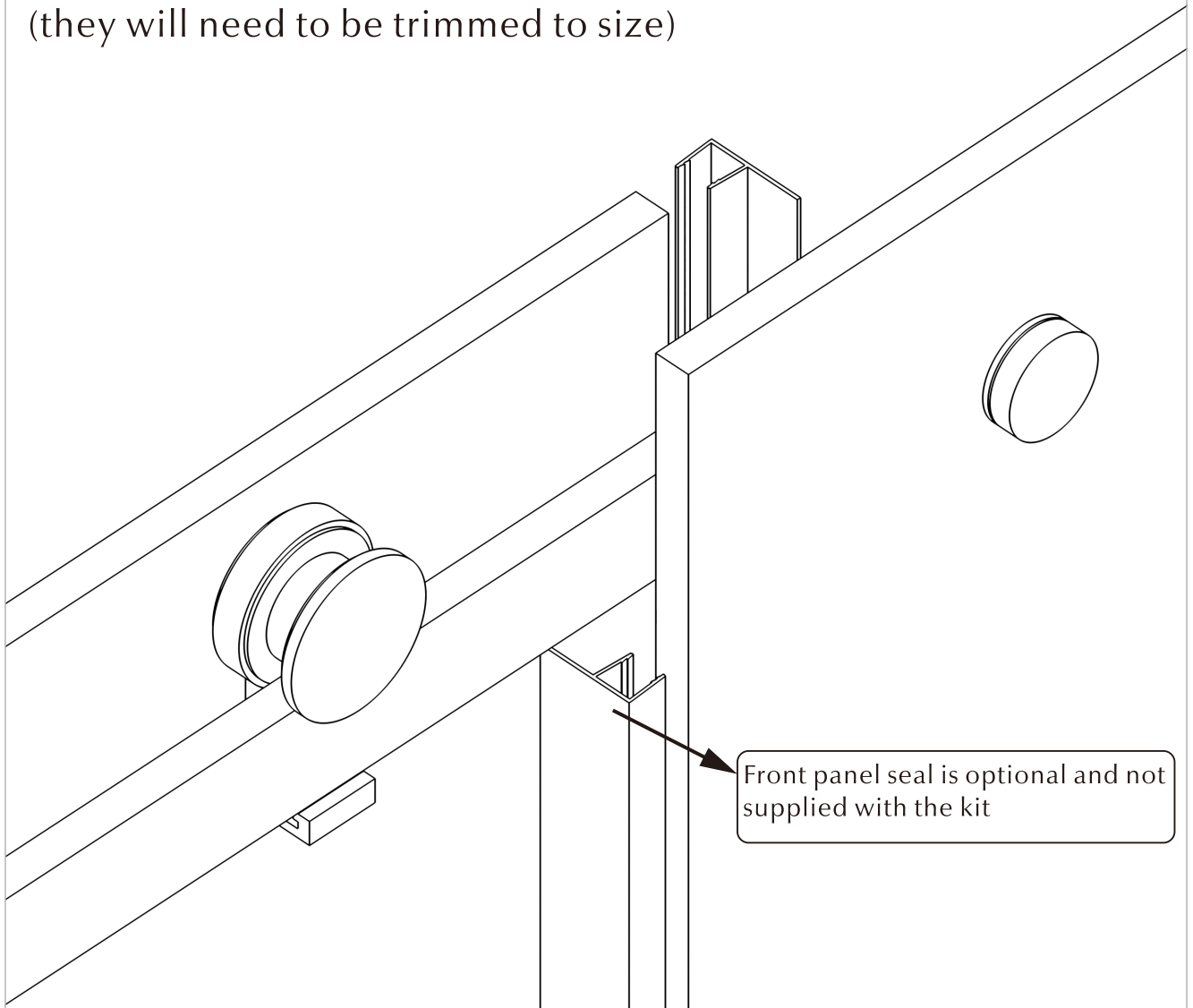


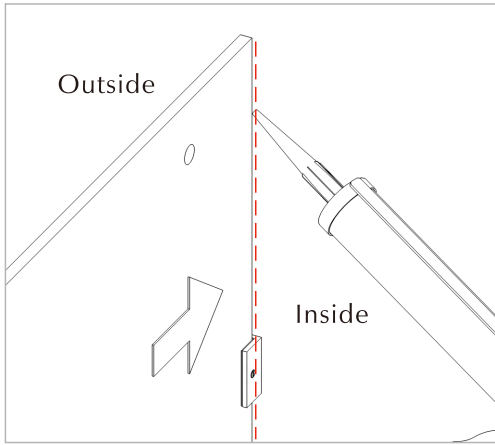


By putting Allen key or a rod in the hole and rotating left or right the camber will allow door move up or down.

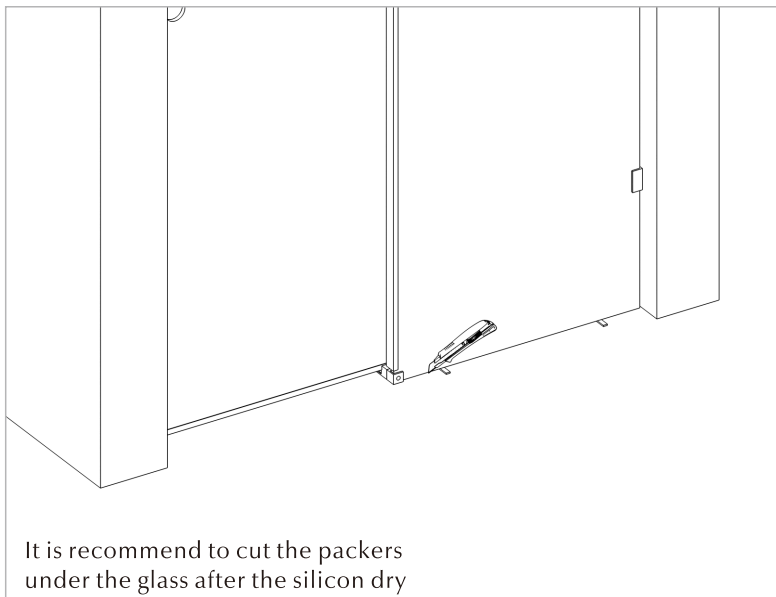
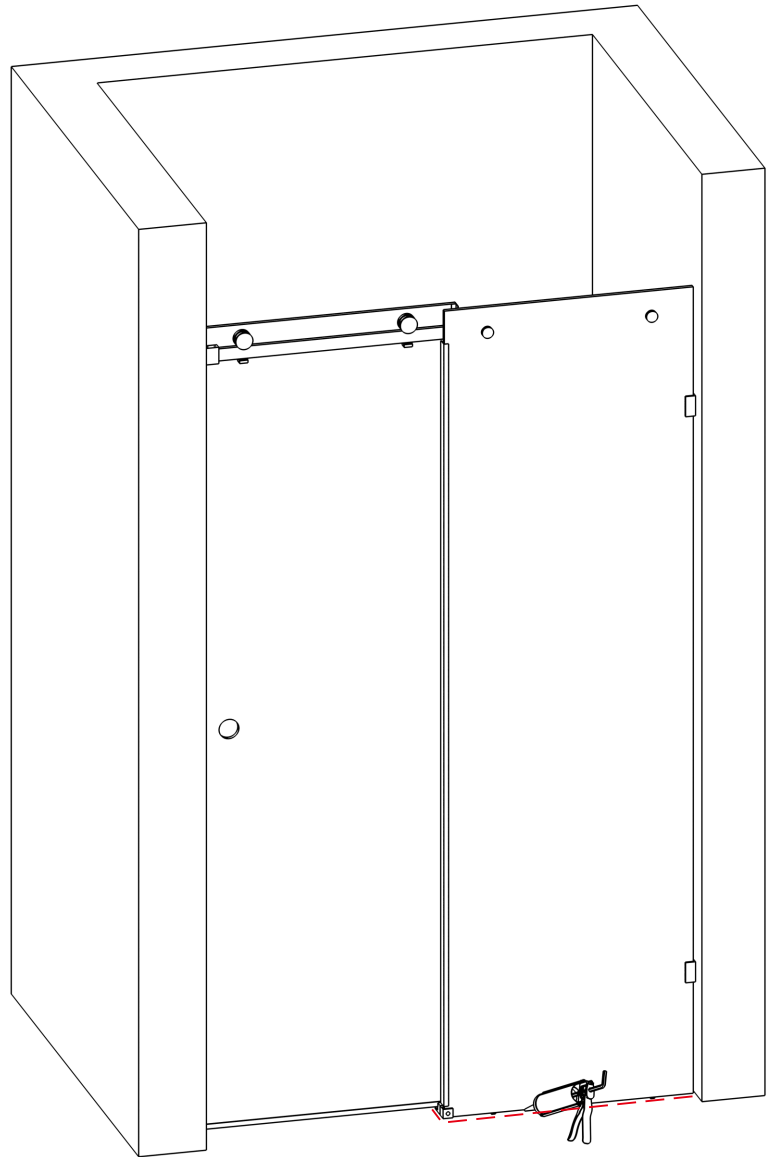


Install rear vertical seals
(they will need to be trimmed to size)





To avoid air bubbles in the silicon, We recommend you pump silicon from inside until it pushes itself to the outside.



It is recommend to cut the packers under the glass after the silicon dry



Allow 24-48 hours for silicone to dry before use. (In colder temperatures silicone will take longer to dry)

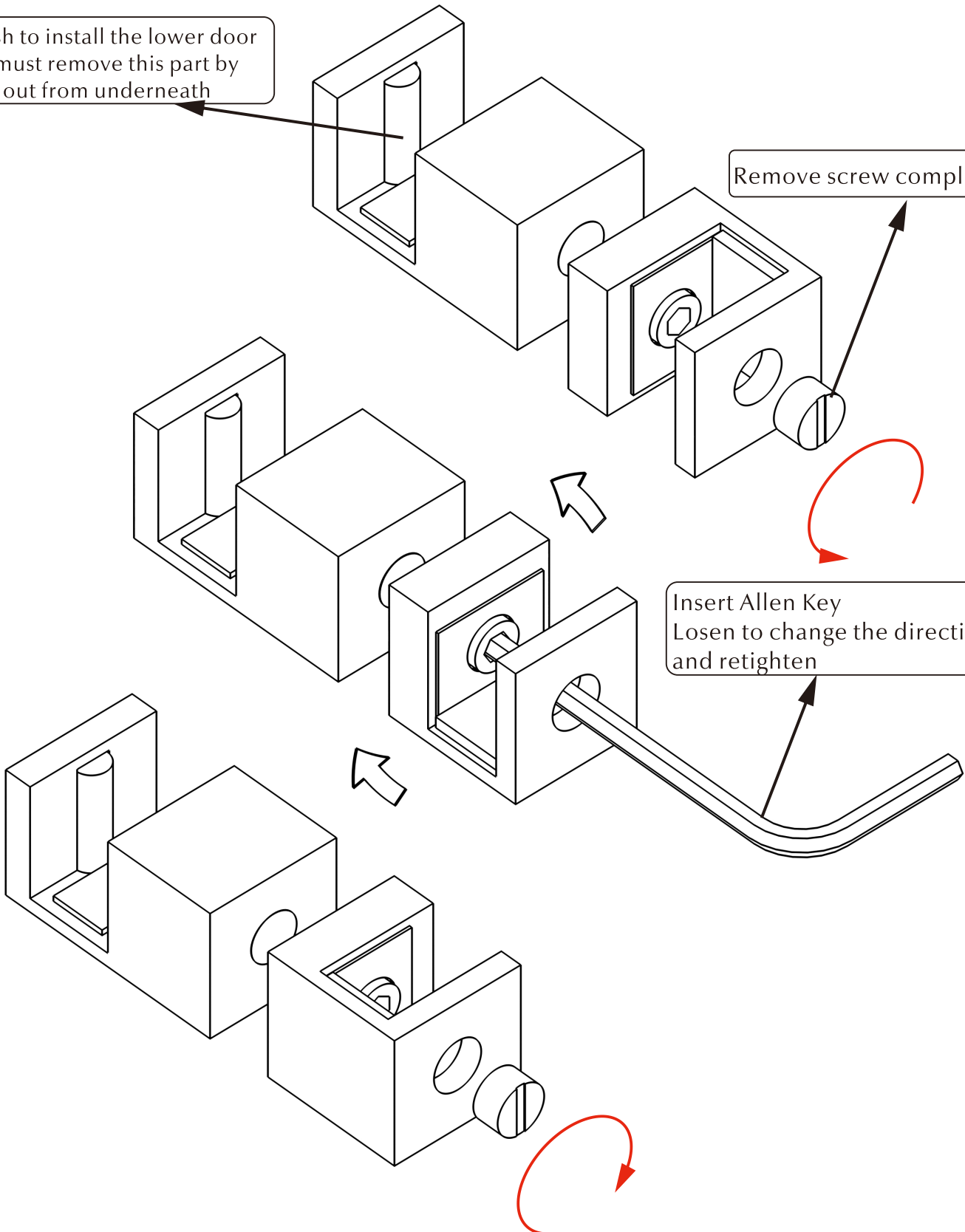
Directional Floor Guide

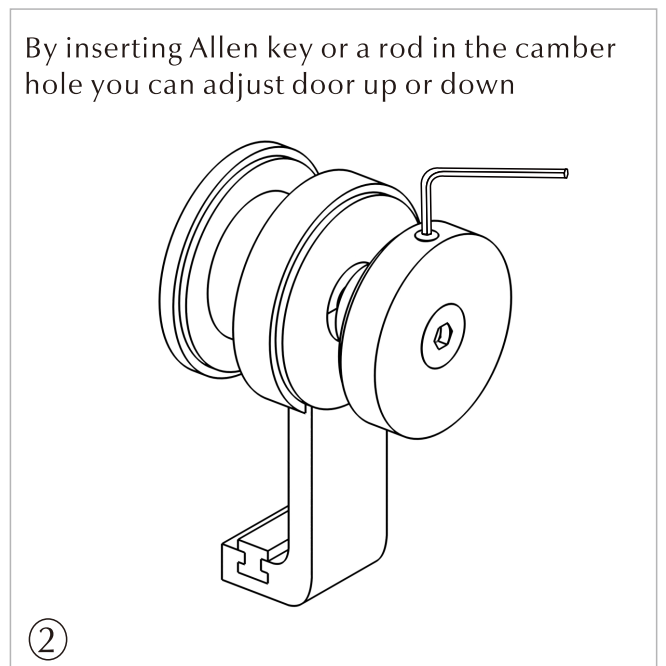
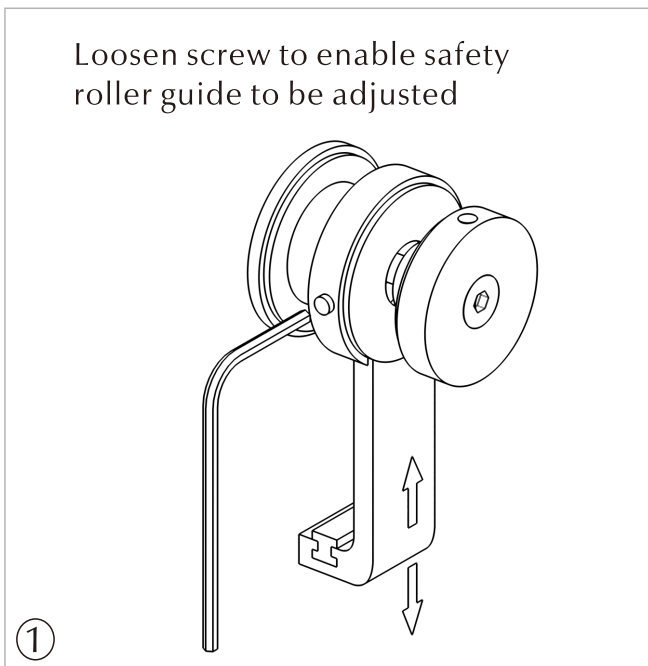
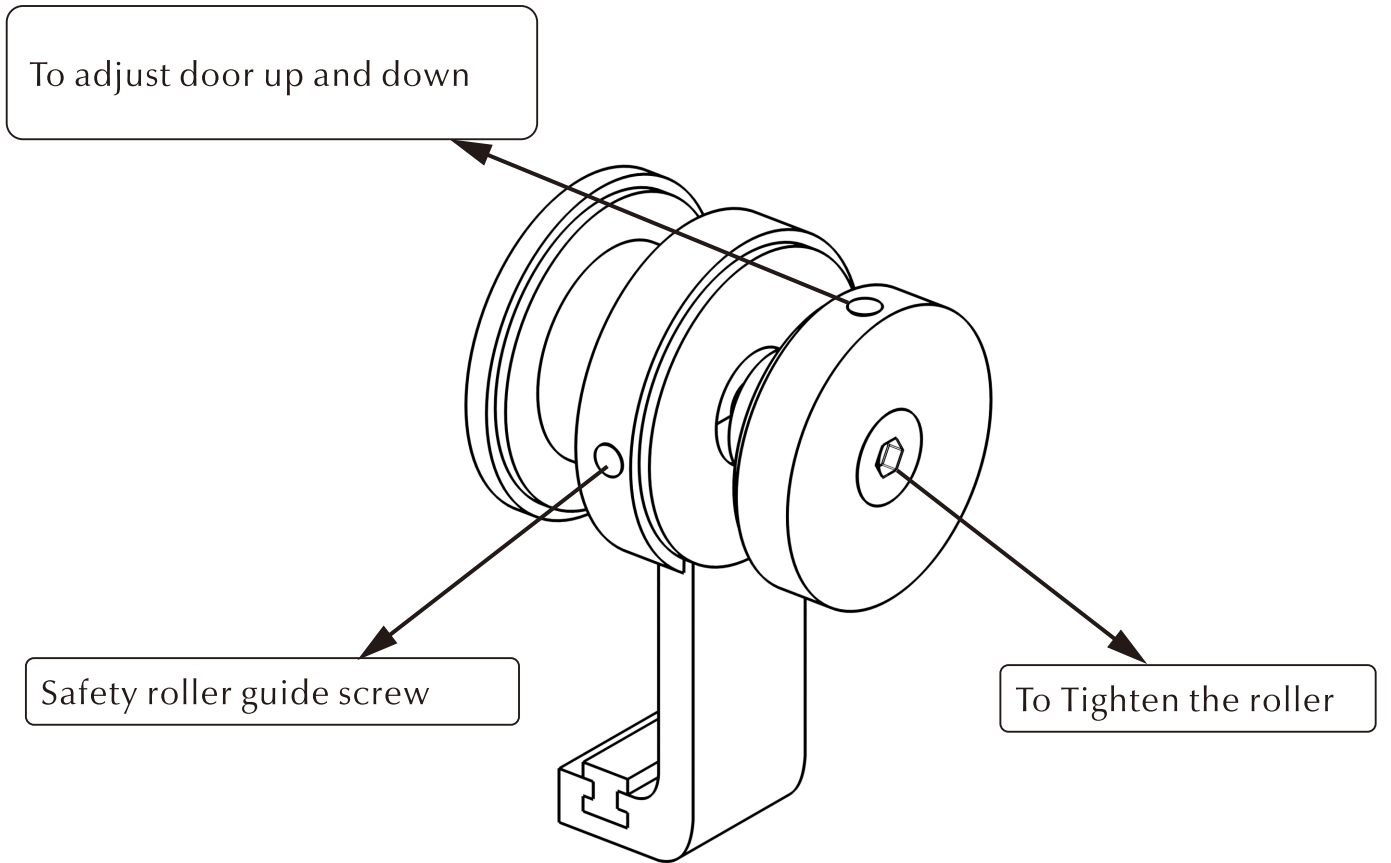
If you wish to install the lower door seal you must remove this part by drilling it out from underneath

Remove screw completely

Insert Allen Key
Loosen to change the direction
and retighten

Put the screw back on
Do not over tighten, the screw is only holding the
floor guide on till the silicon is dry





Note: Roller must be loosened to enable adjustment

