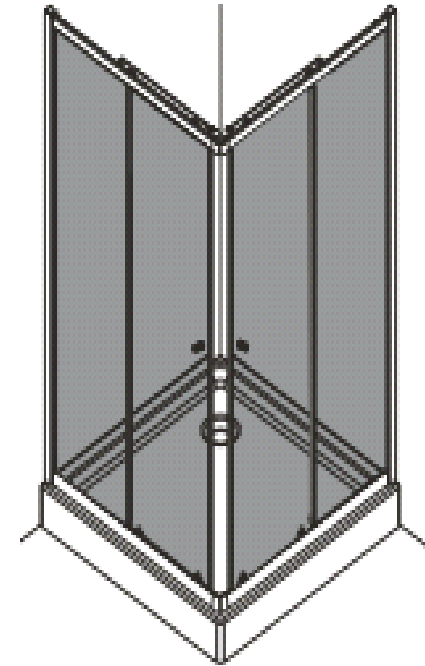


## Double Door Shower Screen Installation Guide



<b>MODEL: SF-SLD-DD-76-82</b>	<b>SIZE: (760-820)X(760-820)X1950</b>
<b>SF-SLD-DD-80-86</b>	<b>(800-860)X(800-860)X1950</b>
<b>SF-SLD-DD-85-91</b>	<b>(850-910)X(850-910)X1950</b>
<b>SF-SLD-DD-90-96</b>	<b>(900-960)X(900-960)X1950</b>
<b>SF-SLD-DD-95-10</b>	<b>(950-1000)X(950-1000)X1950</b>
<b>SF-SLD-DD-10-11</b>	<b>(1000-1100)X(1000-1100)X1950</b>
<b>SF-SLD-DD-11-12</b>	<b>(1100-1200)X(1100-1200)X1950</b>

Chrome and Black the same Installation Guide Apply

## ◆ General Information

Please inspect the product immediately upon receipt for transit damage, missing packs/parts or manufacturing fault. Damage reported after installation will not be accepted. Please handle the product with care avoiding knocks and shock loading to all sides and edges of the glass

**Notes: Safety glass can not be re-worked.**

Please read these instructions carefully before start of installation.

Special care should be taken when drilling walls to avoid hidden pipes or electrical cables.

Note: This product is heavy and may require two people to install.

## Aftercare instructions

After use, your shower should be cleaned with soap and water. This is particularly important in hard water districts where insoluble lime salts may be deposited and allowed to build up.

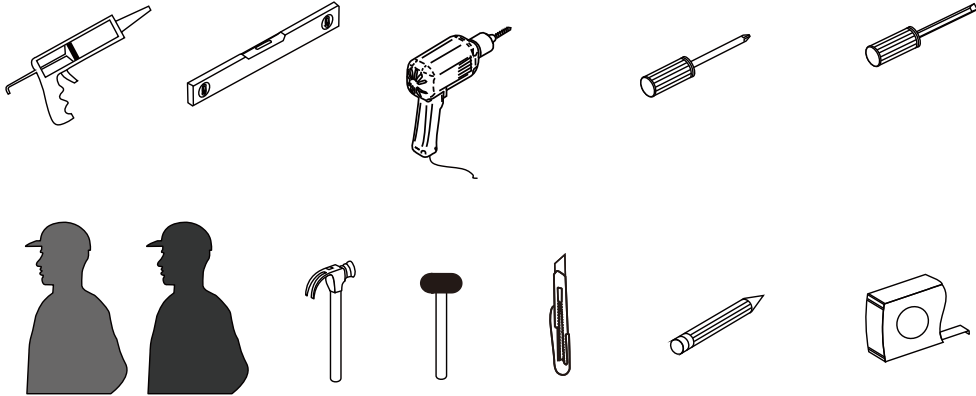
Cleaners of a gritty or abrasive nature should not be used. Care should be taken to avoid contact with strong chemicals such as organic solvents and strippers.

Glass cleaners can be used but with caution, if in doubt contact the manufacturer of the cleaner in question.

Please keep these instructions for aftercare and customer service details.

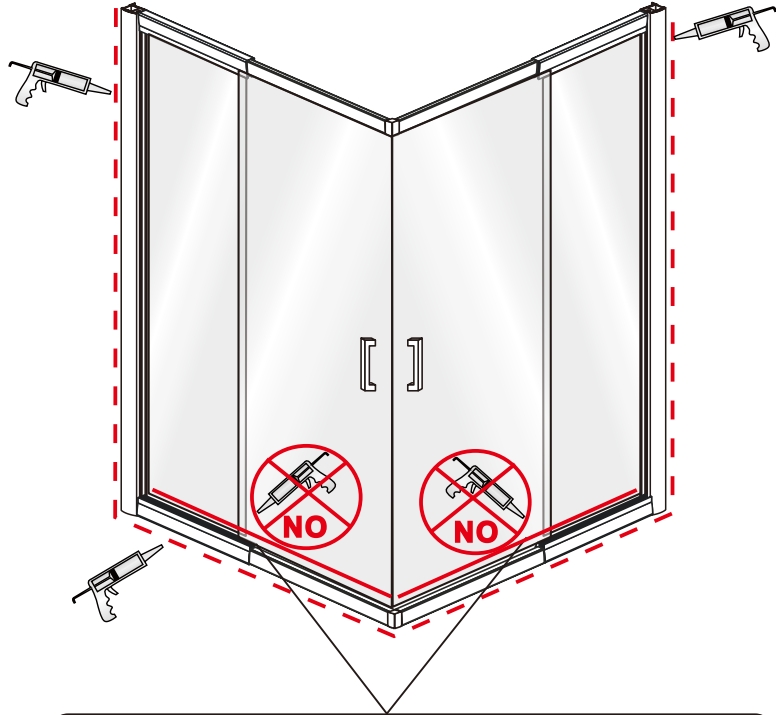
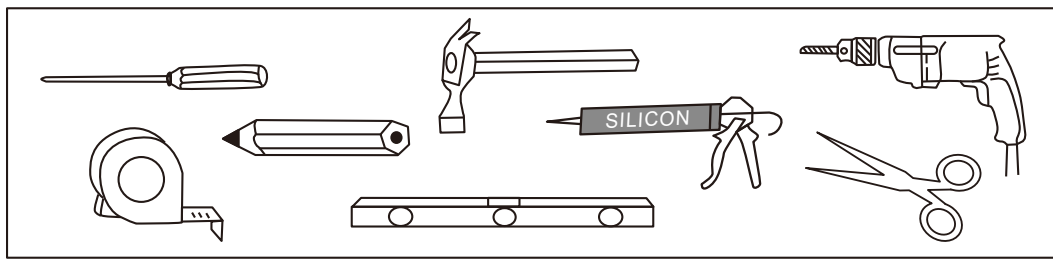
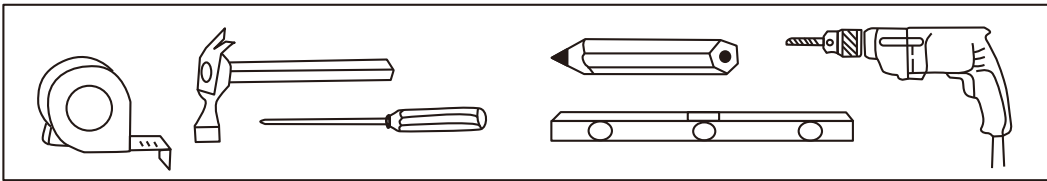
---

## Tools Required















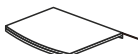



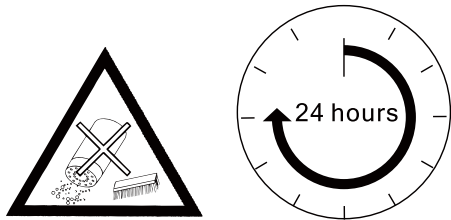
This product is heavy and may require two people to install.





**Do not silicone floor section from inside to allow moisture and condensation to drain back into the shower.**

- |  |  |  |   |  |
|--|--|--|---|--|
| A1<br><br>x4      | A2<br><br>4x30 x4 | B1<br><br>x2      | B2<br><br>x1 | C1<br><br>x2          |
| C2<br><br>x2      | C3<br><br>x4      | C4<br><br>4x12 x4 | D1<br><br>x2 | D2<br><br>x1          |
| D3<br><br>4x10 x2 | E1<br><br>x1      | F1<br><br>4x12 x4 | F2<br><br>x4 | G1<br><br>Optional x1 |
| H1<br><br>4x10 x4 |  |  |   |  |



**Allow 24 hours for silicone to dry before use.**

A1:Wall plug for wall

A2:Screw to fix channel to wall

B1:Plastic seal between Door side/inline panel

B2:Magnetic seal on glass

C1:Bottom wheel **(with spring button)**

C2:Top wheel

C3:Door stopper

C4:Screw for door stopper

D1:Plastic cover between inner and out rail (top and bottom)

D2:Plastic corner connetor for rails (top and bottom)

D3:Screw for plastic corner connetor (D2)

E1:Door handle

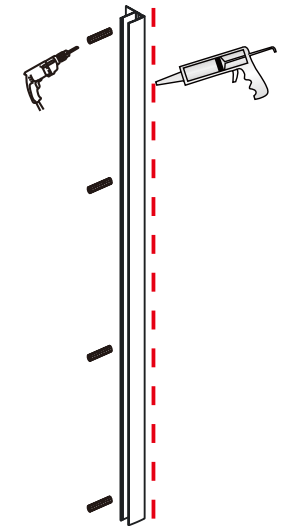
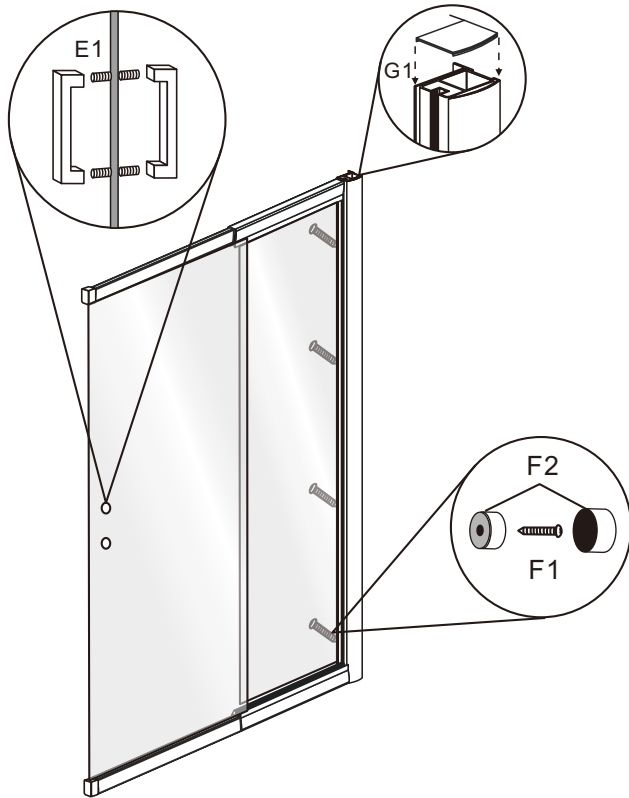
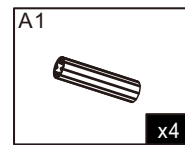
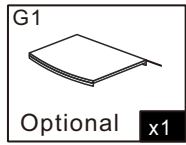
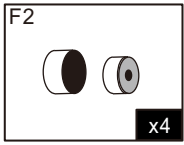
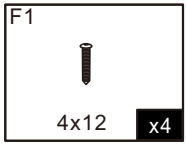
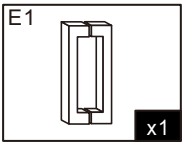
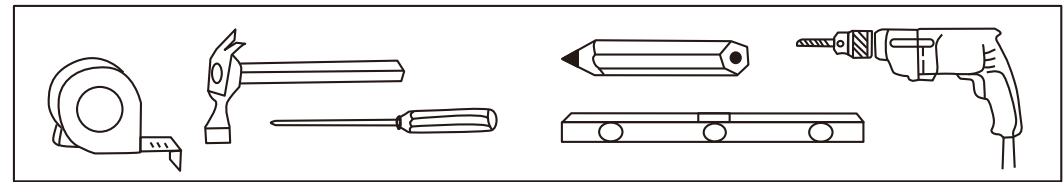
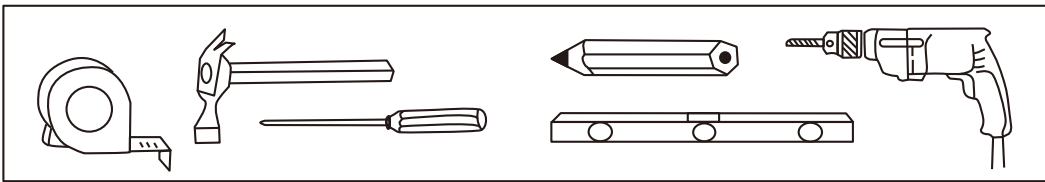
F1:Screw for plastic cap (F2)

F2:Plastic screw cap

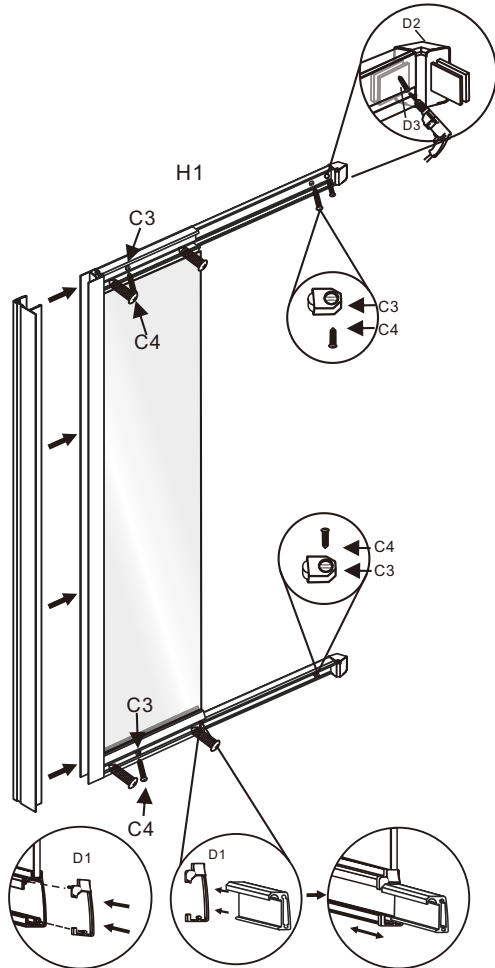
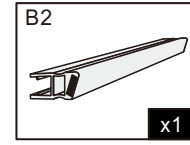
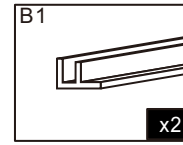
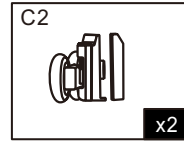
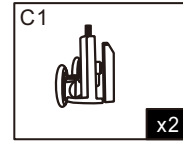
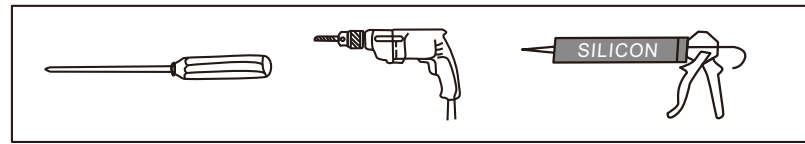
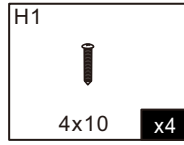
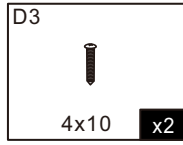
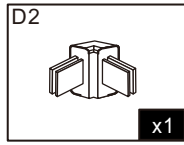
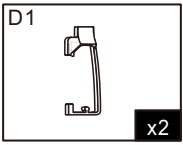
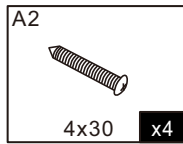
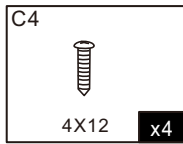
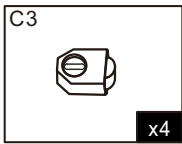
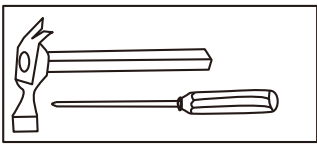
G1:Plastic cover for wall chanel (optional)

H1:Screw to lock the rail (top and bottom)





Put silicon behind channel and clean the wall before you install



Push the D1 into the aluminum first, make sure the two little bars go into the right position.

